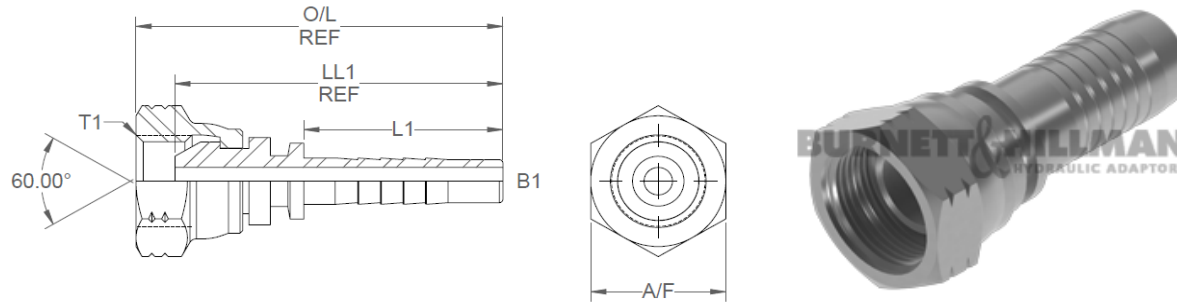
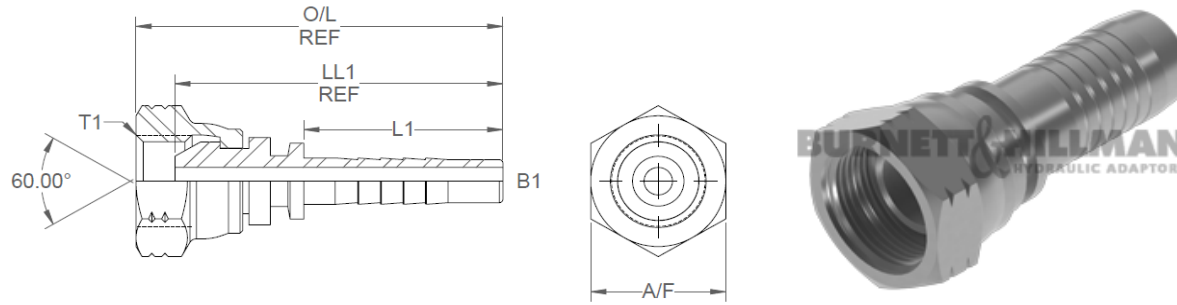


All dimensions are imperial unless stated.



	T1	T2	B1	L1	LL1	O/L	A/F
50000	1/4	1/4 HT	0.172	1.105	1.782	1.997	19mm
50001	3/8	3/8 HT	0.281	1.18	1.972	2.225	22mm

A/F dimensions are imperial unless stated.



	T1	T2	B1	L1	LL1	O/L	A/F
50000	1/4	1/4 HT	4.37	28.07	45.26	50.72	19mm
50001	3/8	3/8 HT	7.14	29.97	50.09	56.52	22mm