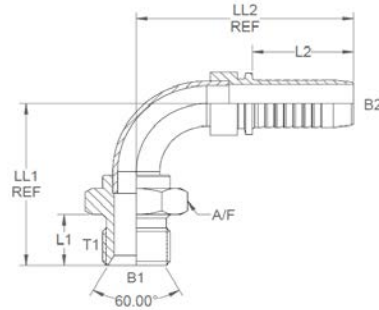
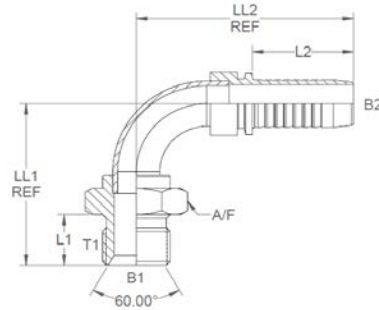


All dimensions are imperial unless stated.



	T1	T2	B1	B2	L1	L2	LL1	LL2	A/F
19930	1/4	1/4 HT	0.25	0.172	0.45	1.105	1.342	2.08	19mm
19931	3/8	3/8 HT	0.375	0.271	0.52	1.18	1.604	2.312	22mm
19932	1/2	1/2 HT	0.5	0.375	0.6	1.24	2.005	2.62	27mm
19933	5/8	5/8 HT	0.562	0.464	0.7	1.35	2.232	2.897	30mm
19934	3/4	3/4 HT	0.659	0.6	0.75	1.555	2.52	3.325	32mm
19935	1	1 HT	0.843	0.797	0.8	1.85	2.885	4.13	41mm

A/F dimensions are imperial unless stated.



	T1	T2	B1	B2	L1	L2	LL1	LL2	A/F
19930	1/4	1/4 HT	6.35	4.37	11.43	28.07	34.09	52.83	19mm
19931	3/8	3/8 HT	9.53	6.88	13.21	29.97	40.74	58.72	22mm
19932	1/2	1/2 HT	12.7	9.53	15.24	31.5	50.93	66.55	27mm
19933	5/8	5/8 HT	14.27	11.79	17.78	34.29	56.69	73.58	30mm
19934	3/4	3/4 HT	16.74	15.24	19.05	39.5	64.01	84.46	32mm
19935	1	1 HT	21.41	20.24	20.32	46.99	73.28	104.9	41mm