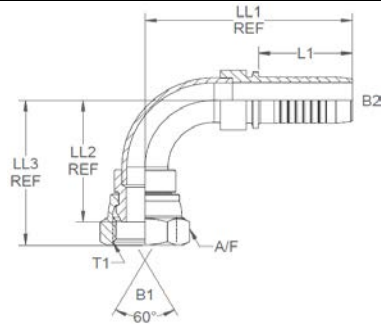
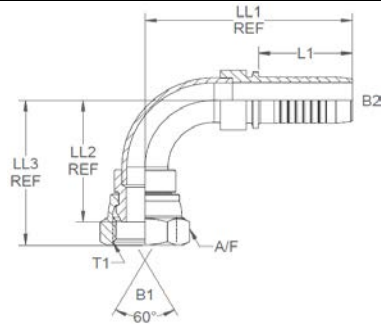


All dimensions are imperial unless stated.



	T1	T2	B1	B2	L1	LL1	LL2	LL3	A/F
93000	1/4	1/4 HT	0.172	0.172	1.105	2.08	1.18	1.395	19mm
93001	3/8	3/8 HT	0.271	0.271	1.18	2.312	1.474	1.727	22mm
93002	1/2	1/2 HT	0.375	0.375	1.24	2.625	1.703	1.995	27mm
93003	5/8	5/8 HT	0.464	0.464	1.35	2.897	1.862	2.267	30mm
93004	3/4	3/4 HT	0.6	0.6	1.555	3.325	2.05	2.44	32mm
93005	1	1 HT	0.843	0.797	1.85	4.13	2.548	3.01	41mm
93006	1-1/4	1-1/4 HT	1.014	1.014	2.158	4.843	3.005	3.44	50mm
93007	1/4	5/16 HT	0	0	0	0	0	0	0
93008	1-1/2	1-1/2 HT	1.201	1.201	2.283	5.361	3.548	4.05	55mm

A/F dimensions are imperial unless stated.



	T1	T2	B1	B2	L1	LL1	LL2	LL3	A/F
93000	1/4	1/4 HT	4.37	4.37	28.07	52.83	29.97	35.43	19mm
93001	3/8	3/8 HT	6.88	6.88	29.97	58.72	37.44	43.87	22mm
93002	1/2	1/2 HT	9.53	9.53	31.5	66.68	43.26	50.67	27mm
93003	5/8	5/8 HT	11.79	11.79	34.29	73.58	47.29	57.58	30mm
93004	3/4	3/4 HT	15.24	15.24	39.5	84.46	52.07	61.98	32mm
93005	1	1 HT	21.41	20.24	46.99	104.9	64.72	76.45	41mm
93006	1-1/4	1-1/4 HT	25.76	25.76	54.81	123.01	76.33	87.38	50mm
93007	1/4	5/16 HT	0	0	0	0	0	0	0
93008	1-1/2	1-1/2 HT	30.51	30.51	57.99	136.17	90.12	102.87	55mm