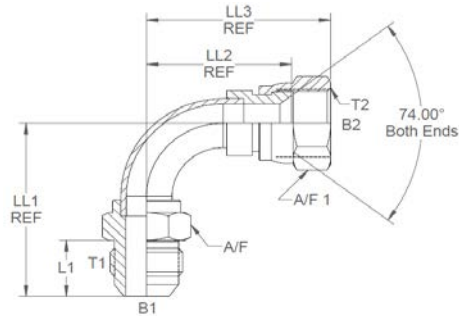
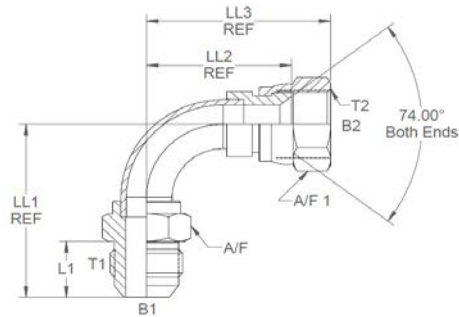


All dimensions are imperial unless stated.



	T1	T2	B1	B2	L1	LL1	LL2	LL3	A/F	A/F1
10900	7/16	7/16	0.172	0.176	0.55	1.495	1.086	1.437	0.5	0.562
10901	1/2	1/2	0	0	0	0	0	0	0	0
10902	9/16	9/16	0.297	0.296	0.556	1.697	1.322	1.713	0.625	0.687
10903	3/4	3/4	0.391	0.39	0.657	1.937	1.663	2.103	0.812	0.875
10904	7/8	7/8	0.484	0.5	0.758	2.26	1.895	2.4	1	1
10905	1-1/16	1-1/16	0.609	0.593	0.862	2.659	2.127	2.7	1.125	1.25
10906	1-3/16	1-3/16	0	0	0	0	0	0	0	0
10907	1-5/16	1-5/16	0.844	0.812	0.911	2.9	2.611	3.291	1.375	1.5
10908	1-5/8	1-5/8	1.02	1.075	0.957	3.491	3.036	3.697	1.75	50mm
10909	1-7/8	1-7/8	1.25	1.312	1.083	4.475	3.548	4.246	2	55mm

A/F dimensions are imperial unless stated.



	T1	T2	B1	B2	L1	LL1	LL2	LL3	A/F	A/F1
10900	7/16	7/16	4.37	4.47	13.97	37.97	27.58	36.5	0.5	0.562
10901	1/2	1/2	0	0	0	0	0	0	0	0
10902	9/16	9/16	7.54	7.52	14.12	43.1	33.58	43.51	0.625	0.687
10903	3/4	3/4	9.93	9.91	16.69	49.2	42.24	53.42	0.812	0.875
10904	7/8	7/8	12.29	12.7	19.25	57.4	48.13	60.96	1	1
10905	1-1/16	1-1/16	15.47	15.06	21.89	67.54	54.03	68.58	1.125	1.25
10906	1-3/16	1-3/16	0	0	0	0	0	0	0	0
10907	1-5/16	1-5/16	21.44	20.62	23.14	73.66	66.32	83.59	1.375	1.5
10908	1-5/8	1-5/8	25.91	27.31	24.31	88.67	77.11	93.9	1.75	50mm
10909	1-7/8	1-7/8	31.75	33.32	27.51	113.67	90.12	107.85	2	55mm