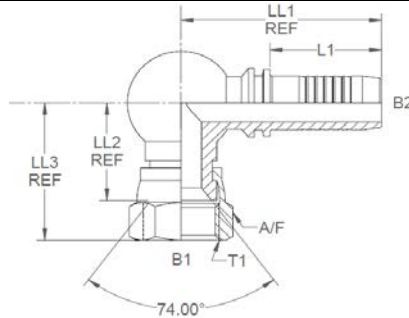
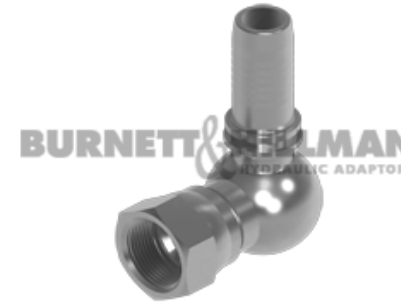
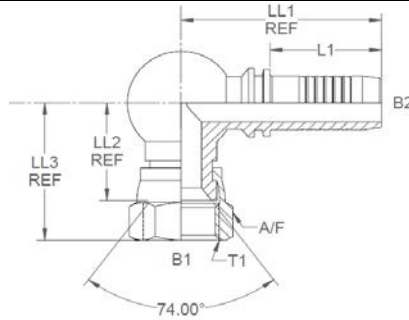


All dimensions are imperial unless stated.



	T1	T2	B1	B2	L1	LL1	LL2	LL3	A/F
82000	7/16	1/4 HT	0.176	0.172	1.105	1.93	0.69	1.095	0.562
82001	9/16	1/4 HT	0.296	0.172	1.105	2.02	0.8	1.27	0.687
82002	9/16	3/8 HT	0	0	0	0	0	0	0
82003	3/4	3/8 HT	0.391	0.281	1.18	2.18	0.95	1.43	0.875
82004	3/4	1/2 HT	0.391	0.375	1.24	2.29	0.95	1.43	0.875
82005	7/8	1/2 HT	0.391	0.375	1.24	2.29	1	1.54	27mm
82006	7/8	5/8 HT	0.5	0.484	1.35	2.53	1.2	1.77	27mm
82007	1-1/16	5/8 HT	0	0	0	0	0	0	0
82008	1-1/16	3/4 HT	0.593	0.6	1.555	2.81	1.44	2.05	1.25
82009	1-5/16	1 HT	0.812	0.843	1.85	3.46	1.73	2.37	1.5

A/F dimensions are imperial unless stated.



	T1	T2	B1	B2	L1	LL1	LL2	LL3	A/F
82000	7/16	1/4 HT	4.47	4.37	28.07	49.02	17.53	27.81	0.562
82001	9/16	1/4 HT	7.52	4.37	28.07	51.31	20.32	32.26	0.687
82002	9/16	3/8 HT	0	0	0	0	0	0	0
82003	3/4	3/8 HT	9.93	7.14	29.97	55.37	24.13	36.32	0.875
82004	3/4	1/2 HT	9.93	9.53	31.5	58.17	24.13	36.32	0.875
82005	7/8	1/2 HT	9.93	9.53	31.5	58.17	25.4	39.12	27mm
82006	7/8	5/8 HT	12.7	12.29	34.29	64.26	30.48	44.96	27mm
82007	1-1/16	5/8 HT	0	0	0	0	0	0	0
82008	1-1/16	3/4 HT	15.06	15.24	39.5	71.37	36.58	52.07	1.25
82009	1-5/16	1 HT	20.62	21.41	46.99	87.88	43.94	60.2	1.5

DESIGN DETAILS AND SPECIFICATIONS SUBJECT TO CHANGE WITHOUT PRIOR NOTICE - Whilst every effort has been made to ensure the accuracy of the information supplied herein, Burnett & Hillman cannot be held responsible for any errors or omissions (E&OE)