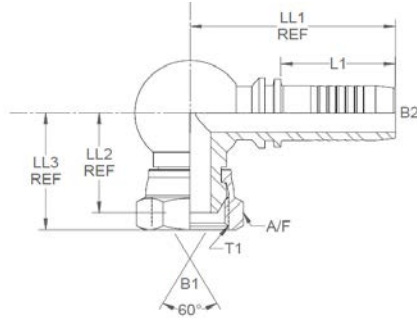
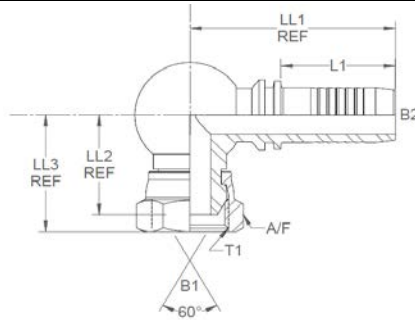


All dimensions are imperial unless stated.



	T1	T2	B1	B2	L1	LL1	LL2	LL3	A/F
80001	1/4	1/4 HT	0.172	0.172	1.105	1.825	0.866	1.08	19mm
80002	3/8	3/8 HT	0.296	0.281	1.18	2.22	0.95	1.23	22mm
80008	1/2	3/8 HT	0.39	0.281	1.18	2.15	1.1	1.39	27mm
80003	1/2	1/2 HT	0.375	0.406	1.24	2.24	1.1	1.39	27mm
80004	5/8	5/8 HT	0.464	0.464	1.35	2.51	1.21	1.64	30mm
80005	3/4	3/4 HT	0.6	0.6	1.55	2.79	1.47	1.86	32mm
80006	1	1 HT	0.843	0.843	1.85	3.35	1.73	2.09	1.5
80007	1-1/4	1-1/4 HT	1.04	1.03	2.283	3.9	1.7	2.15	1.86

A/F dimensions are imperial unless stated.



	T1	T2	B1	B2	L1	LL1	LL2	LL3	A/F
80001	1/4	1/4 HT	4.37	4.37	28.07	46.36	22	27.43	19mm
80002	3/8	3/8 HT	7.52	7.14	29.97	56.39	24.13	31.24	22mm
80008	1/2	3/8 HT	9.91	7.14	29.97	54.61	27.94	35.31	27mm
80003	1/2	1/2 HT	9.53	10.31	31.5	56.9	27.94	35.31	27mm
80004	5/8	5/8 HT	11.79	11.79	34.29	63.75	30.73	41.66	30mm
80005	3/4	3/4 HT	15.24	15.24	39.37	70.87	37.34	47.24	32mm
80006	1	1 HT	21.41	21.41	46.99	85.09	43.94	53.09	1.5
80007	1-1/4	1-1/4 HT	26.42	26.16	57.99	99.06	43.18	54.61	1.86