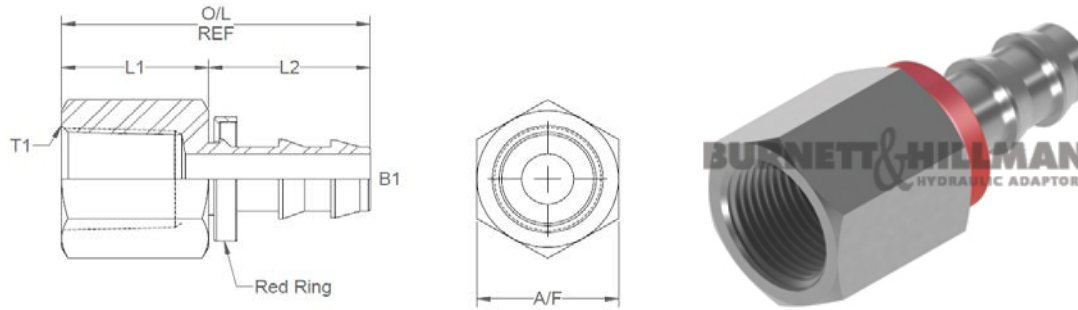
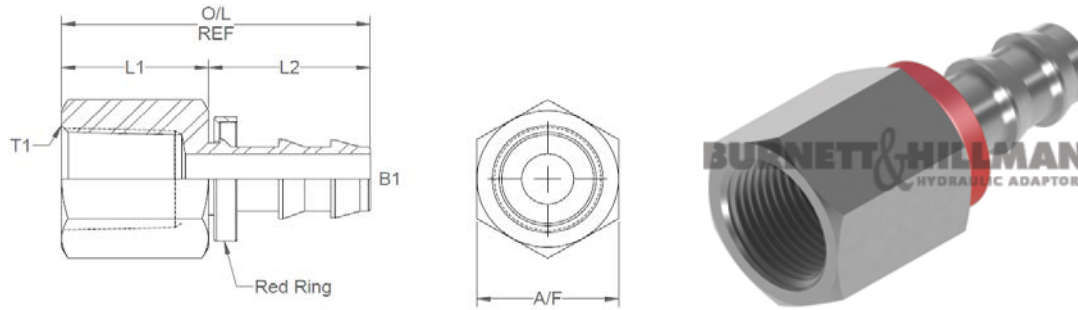


All dimensions are imperial unless stated.



	T1	T2	B1	L1	L2	O/L	A/F
16300	1/4	1/4 PI	0.176	0.81	0.89	1.7	19mm
16301	3/8	3/8 PI	0.296	1.04	1.027	2.067	22mm
16302	1/2	1/2 PI	0.39	1.1	1.21	2.31	27mm

A/F dimensions are imperial unless stated.



	T1	T2	B1	L1	L2	O/L	A/F
16300	1/4	1/4 PI	4.47	20.57	22.61	43.18	19mm
16301	3/8	3/8 PI	7.52	26.42	26.09	52.5	22mm
16302	1/2	1/2 PI	9.91	27.94	30.73	58.67	27mm