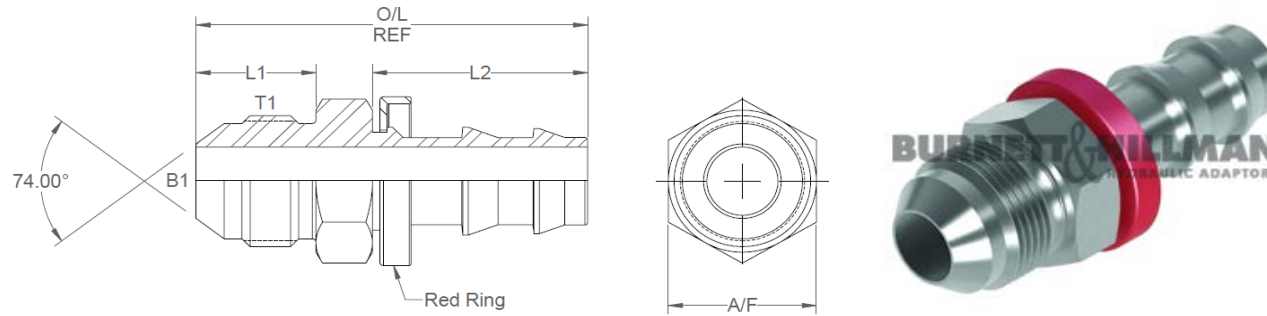
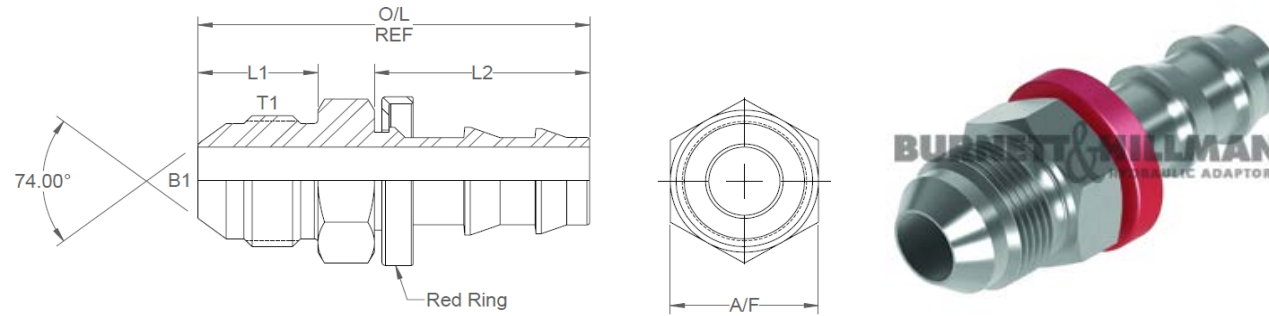


All dimensions are imperial unless stated.



	T1	T2	B1	B2	L1	L2	O/L	A/F
09711	7/16	1/4 PI	0.172	0.172	0.55	0.89	1.66	0.5
09712	9/16	3/8 PI	0.296	0.296	0.556	1.027	1.813	0.625
09713	3/4	1/2 PI	0.39	0.39	0.657	1.18	2.147	0.812

A/F dimensions are imperial unless stated.



	T1	T2	B1	B2	L1	L2	O/L	A/F
09711	7/16	1/4 PI	4.37	4.37	13.97	22.61	42.16	0.5
09712	9/16	3/8 PI	7.52	7.52	14.12	26.09	46.05	0.625
09713	3/4	1/2 PI	9.91	9.91	16.69	29.97	54.53	0.812