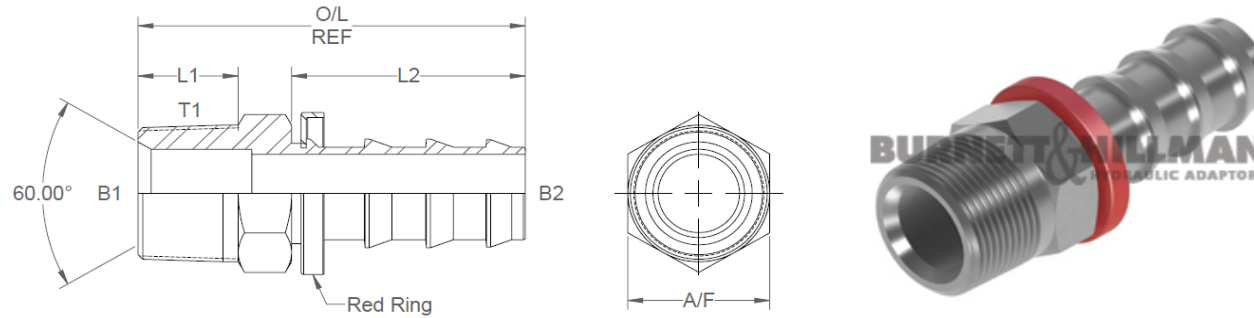


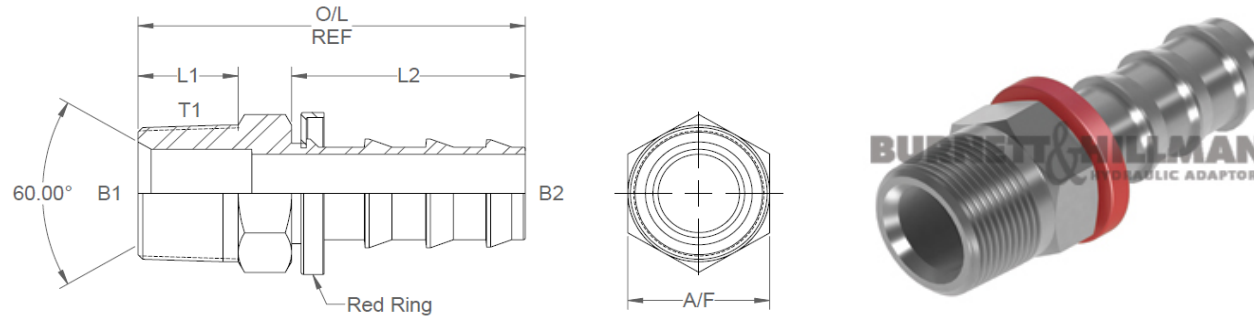
All dimensions are imperial unless stated.



	T1	T2	B1	B2	L1	L2	O/L	A/F
09212	1/8	1/4 PI	0.188	0.176	0.38	0.89	1.525	0.437
09213	1/4	1/4 PI	0.25	0.176	0.56	0.89	1.75	0.562
09218	1/4	3/8 PI	0.25	0.25	0.56	1.027	1.917	0.562
09214	3/8	3/8 PI	0.375	0.296	0.56	1.027	1.917	0.687
09219	3/8	1/2 PI	0.375	0.375	0.56	1.18	2.07	0.687
09215	1/2	1/2 PI	0.5	0.39	0.75	1.18	2.32	22mm
09216	3/4	3/4 PI	0.687	0.609	0.75	1.75	2.9	27mm
09217	1	1 PI	0.843	0.75	0.97	1.825	3.265	1.375

DESIGN DETAILS AND SPECIFICATIONS SUBJECT TO CHANGE WITHOUT PRIOR NOTICE - Whilst every effort has been made to ensure the accuracy of the information supplied herein, Burnett & Hillman cannot be held responsible for any errors or omissions (E&OE)

A/F dimensions are imperial unless stated.



	T1	T2	B1	B2	L1	L2	O/L	A/F
09212	1/8	1/4 PI	4.78	4.47	9.65	22.61	38.74	0.437
09213	1/4	1/4 PI	6.35	4.47	14.22	22.61	44.45	0.562
09218	1/4	3/8 PI	6.35	6.35	14.22	26.09	48.69	0.562
09214	3/8	3/8 PI	9.53	7.52	14.22	26.09	48.69	0.687
09219	3/8	1/2 PI	9.53	9.53	14.22	29.97	52.58	0.687
09215	1/2	1/2 PI	12.7	9.91	19.05	29.97	58.93	22mm
09216	3/4	3/4 PI	17.45	15.47	19.05	44.45	73.66	27mm
09217	1	1 PI	21.41	19.05	24.64	46.36	82.93	1.375