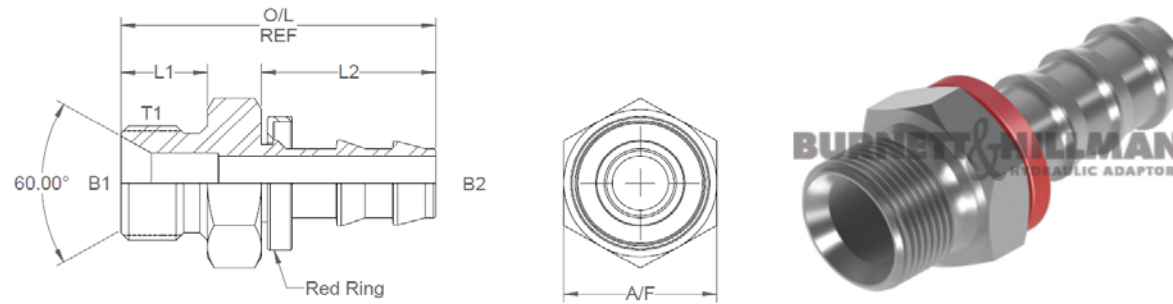
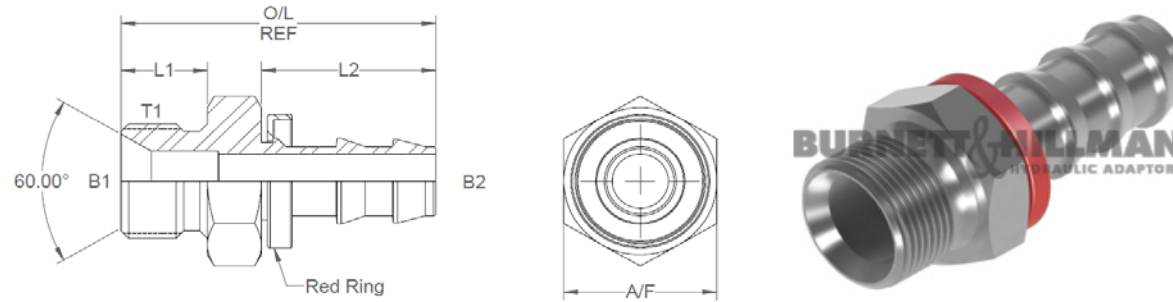


All dimensions are imperial unless stated.



	T1	T2	B1	B2	L1	L2	O/L	A/F
09229	1/8	1/4 PI	0.156	0.169	0.44	0.89	1.53	14mm
09220	1/4	1/4 PI	0.25	0.176	0.45	0.89	1.59	19mm
09221	3/8	3/8 PI	0.375	0.296	0.52	1.027	1.847	22mm
09222	1/2	1/2 PI	0.437	0.39	0.6	1.21	2.185	27mm
09225	5/8	5/8 PI	0.562	0.484	0.7	1.655	2.73	30mm
09223	3/4	3/4 PI	0.659	0.6	0.75	1.75	2.9	32mm
09224	1	1 PI	0.875	0.75	0.8	1.825	3.125	41mm

A/F dimensions are imperial unless stated.



	T1	T2	B1	B2	L1	L2	O/L	A/F
09229	1/8	1/4 PI	3.96	4.29	11.18	22.61	38.86	14mm
09220	1/4	1/4 PI	6.35	4.47	11.43	22.61	40.39	19mm
09221	3/8	3/8 PI	9.53	7.52	13.21	26.09	46.91	22mm
09222	1/2	1/2 PI	11.1	9.91	15.24	30.73	55.5	27mm
09225	5/8	5/8 PI	14.27	12.29	17.78	42.04	69.34	30mm
09223	3/4	3/4 PI	16.74	15.24	19.05	44.45	73.66	32mm
09224	1	1 PI	22.23	19.05	20.32	46.36	79.38	41mm