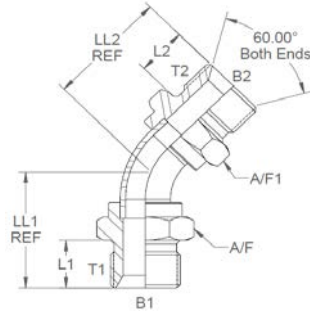


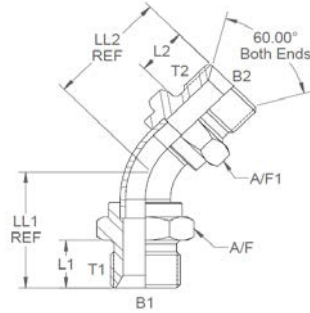
All dimensions are imperial unless stated.



	T1	T2	B1	B2	L1	L2	LL1	LL2	A/F	A/F1
16000	1/4	1/4	0.25	0.25	0.45	0.45	1.117	1.117	19mm	19mm
16001	3/8	3/8	0.375	0.375	0.52	0.52	1.273	1.273	22mm	22mm
16002	1/2	1/2	0.5	0.5	0.6	0.6	1.562	1.562	27mm	27mm
16003	5/8	5/8	0.562	0.562	0.7	0.7	1.66	1.66	30mm	30mm
16004	3/4	3/4	0.659	0.659	0.75	0.75	1.825	1.825	32mm	32mm
16005	1	1	0.843	0.843	0.8	0.8	1.943	1.943	41mm	41mm
16006	1-1/4	1-1/4	1.125	1.125	0.8	0.8	2.128	2.128	50mm	50mm
16007	1-1/2	1-1/2	1.312	1.312	0.85	0.85	2.748	2.748	55mm	55mm
16008	2	2	1.75	1.75	1	1	3.263	3.263	70mm	70mm

DESIGN DETAILS AND SPECIFICATIONS SUBJECT TO CHANGE WITHOUT PRIOR NOTICE - Whilst every effort has been made to ensure the accuracy of the information supplied herein, Burnett & Hillman cannot be held responsible for any errors or omissions (E&OE)

A/F dimensions are imperial unless stated.



	T1	T2	B1	B2	L1	L2	LL1	LL2	A/F	A/F1
16000	1/4	1/4	6.35	6.35	11.43	11.43	28.37	28.37	19mm	19mm
16001	3/8	3/8	9.53	9.53	13.21	13.21	32.33	32.33	22mm	22mm
16002	1/2	1/2	12.7	12.7	15.24	15.24	39.67	39.67	27mm	27mm
16003	5/8	5/8	14.27	14.27	17.78	17.78	42.16	42.16	30mm	30mm
16004	3/4	3/4	16.74	16.74	19.05	19.05	46.36	46.36	32mm	32mm
16005	1	1	21.41	21.41	20.32	20.32	49.35	49.35	41mm	41mm
16006	1-1/4	1-1/4	28.58	28.58	20.32	20.32	54.05	54.05	50mm	50mm
16007	1-1/2	1-1/2	33.32	33.32	21.59	21.59	69.8	69.8	55mm	55mm
16008	2	2	44.45	44.45	25.4	25.4	82.88	82.88	70mm	70mm