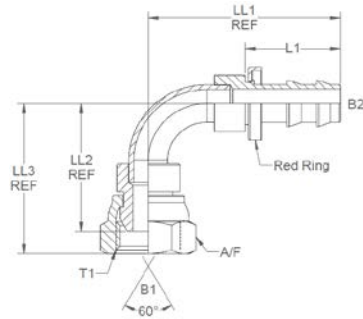
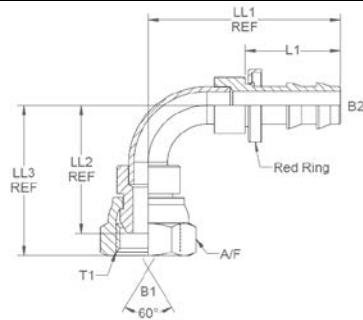


All dimensions are imperial unless stated.



	T1	T2	B1	B2	L1	LL1	LL2	LL3	A/F
09280	1/4	1/4 PI	0.172	0.176	0.89	1.67	1.18	1.395	19mm
09281	3/8	3/8 PI	0.271	0.296	1.027	1.994	1.474	1.727	22mm
09282	1/2	1/2 PI	0.375	0.39	1.21	2.391	1.703	1.995	27mm
09283	5/8	5/8 PI	0.464	0.484	1.655	1.655	1.862	2.267	30mm
09284	3/4	3/4 PI	0.6	0.6	1.75	3.42	2.1	2.431	32mm
09285	1	1 PI	0.843	0.75	1.81	3.86	2.548	2.985	41mm

A/F dimensions are imperial unless stated.



	T1	T2	B1	B2	L1	LL1	LL2	LL3	A/F
09280	1/4	1/4 PI	4.37	4.47	22.61	42.42	29.97	35.43	19mm
09281	3/8	3/8 PI	6.88	7.52	26.09	50.65	37.44	43.87	22mm
09282	1/2	1/2 PI	9.53	9.91	30.73	60.73	43.26	50.67	27mm
09283	5/8	5/8 PI	11.79	12.29	42.04	42.04	47.29	57.58	30mm
09284	3/4	3/4 PI	15.24	15.24	44.45	86.87	53.34	61.75	32mm
09285	1	1 PI	21.41	19.05	45.97	98.04	64.72	75.82	41mm