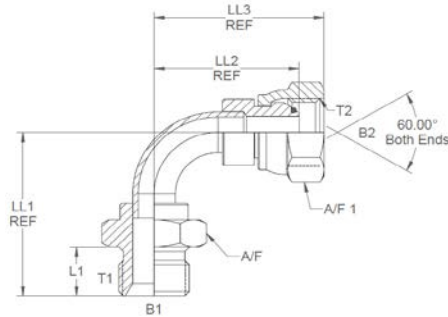
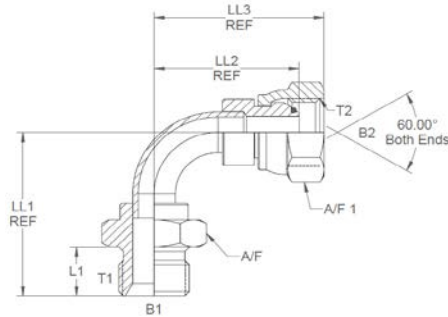


All dimensions are imperial unless stated.



	T1	T2	B1	B2	L1	LL1	LL2	LL3	A/F	A/F1
06020	1/4	1/4	0.25	0.172	0.45	1.342	1.18	1.395	19mm	19mm
06021	3/8	3/8	0.375	0.271	0.52	1.604	1.474	1.727	22mm	22mm
06022	1/2	1/2	0.5	0.375	0.6	2.005	1.703	1.995	27mm	27mm
06023	5/8	5/8	0.562	0.464	0.7	2.232	1.862	2.267	30mm	30mm
06024	3/4	3/4	0.659	0.6	0.75	2.52	2.05	2.44	32mm	32mm
06025	1	1	0.843	0.797	0.8	2.885	2.548	3.01	41mm	41mm
06026	1-1/4	1-1/4	1.125	1.014	0.8	3.225	3.005	3.44	50mm	50mm
06027	1-1/2	1-1/2	1.312	1.201	0.85	3.848	3.548	4.05	55mm	55mm
06028	2	2	1.75	1.703	1	5.19	4.777	5.444	70mm	70mm

A/F dimensions are imperial unless stated.



	T1	T2	B1	B2	L1	LL1	LL2	LL3	A/F	A/F1
06020	1/4	1/4	6.35	4.37	11.43	34.09	29.97	35.43	19mm	19mm
06021	3/8	3/8	9.53	6.88	13.21	40.74	37.44	43.87	22mm	22mm
06022	1/2	1/2	12.7	9.53	15.24	50.93	43.26	50.67	27mm	27mm
06023	5/8	5/8	14.27	11.79	17.78	56.69	47.29	57.58	30mm	30mm
06024	3/4	3/4	16.74	15.24	19.05	64.01	52.07	61.98	32mm	32mm
06025	1	1	21.41	20.24	20.32	73.28	64.72	76.45	41mm	41mm
06026	1-1/4	1-1/4	28.58	25.76	20.32	81.92	76.33	87.38	50mm	50mm
06027	1-1/2	1-1/2	33.32	30.51	21.59	97.74	90.12	102.87	55mm	55mm
06028	2	2	44.45	43.26	25.4	131.83	121.34	138.28	70mm	70mm