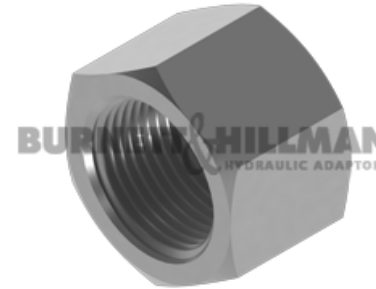
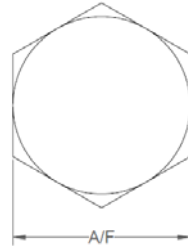
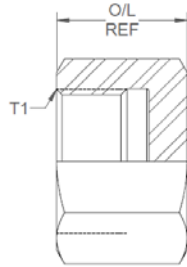


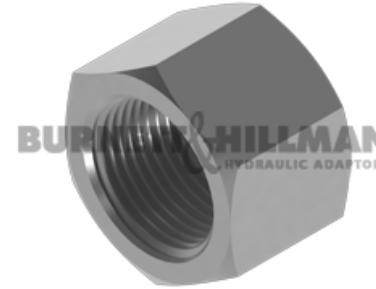
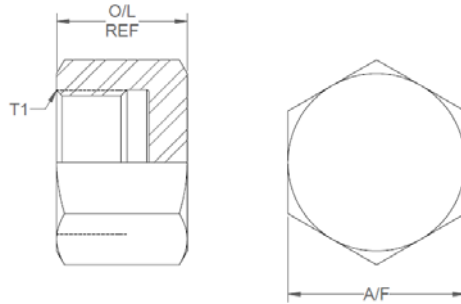
All dimensions are imperial unless stated.



	T1	O/L	A/F
BSC-02	1/8	0.7	14mm
BSC-04	1/4	0.74	19mm
BSC-06	3/8	0.875	22mm
BSC-08	1/2	1	27mm
BSC-10	5/8	1.05	30mm
BSC-12	3/4	1.1	32mm
BSC-16	1	1.2	41mm
BSC-20	1-1/4	1.2	50mm
BSC-24	1-1/2	1.2	55mm
BSC-32	2	1.34	70mm

DESIGN DETAILS AND SPECIFICATIONS SUBJECT TO CHANGE WITHOUT PRIOR NOTICE - Whilst every effort has been made to ensure the accuracy of the information supplied herein, Burnett & Hillman cannot be held responsible for any errors or omissions (E&OE)

A/F dimensions are imperial unless stated.



	T1	O/L	A/F
BSC-02	1/8	17.78	14mm
BSC-04	1/4	18.8	19mm
BSC-06	3/8	22.23	22mm
BSC-08	1/2	25.4	27mm
BSC-10	5/8	26.67	30mm
BSC-12	3/4	27.94	32mm
BSC-16	1	30.48	41mm
BSC-20	1-1/4	30.48	50mm
BSC-24	1-1/2	30.48	55mm
BSC-32	2	34.04	70mm

DESIGN DETAILS AND SPECIFICATIONS SUBJECT TO CHANGE WITHOUT PRIOR NOTICE - Whilst every effort has been made to ensure the accuracy of the information supplied herein, Burnett & Hillman cannot be held responsible for any errors or omissions (E&OE)