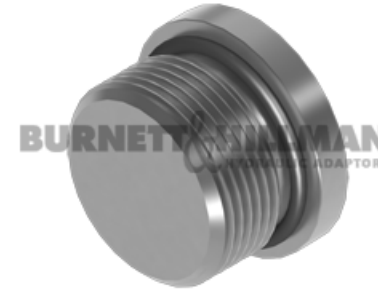
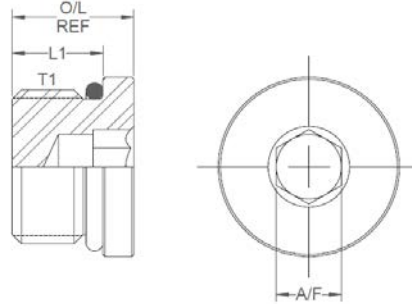


**SAE O'ring boss male socket headed
plug WITH O'RING**

Oct-21
0727 IMP

A/F dimensions are imperial unless stated.



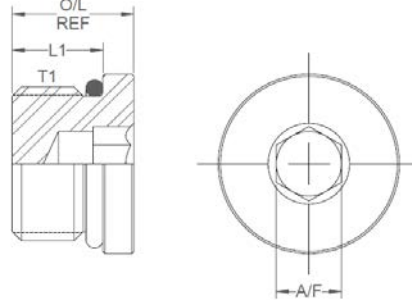
	T1	L1	O/L	A/F
7238-02	5/16	0.297	0.395	0.125
7238-03	3/8	0.297	0.395	0.159
7238-04	7/16	0.36	0.475	0.189
7238-05	1/2	0.36	0.475	0.189
7238-06	9/16	0.391	0.506	0.258
7238-08	3/4	0.438	0.588	0.313
7238-10	7/8	0.5	0.65	0.375
7238-12	1-1/16	0.594	0.774	0.562
7238-14	1-3/16	0.594	0.774	0.562
7238-16	1-5/16	0.594	0.774	0.632
7238-20	1-5/8	0.594	0.774	0.75
7238-24	1-7/8	0.594	0.774	0.75
7238-32	2-1/2	0.594	0.774	0.75

DESIGN DETAILS AND SPECIFICATIONS SUBJECT TO CHANGE WITHOUT PRIOR NOTICE - Whilst every effort has been made to ensure the accuracy of the information supplied herein, Burnett & Hillman cannot be held responsible for any errors or omissions (E&OE)

**SAE O'ring boss male socket headed
plug WITH O'RING**

Oct-21
0727 METRIC

All dimensions are imperial unless stated.



	T1	L1	O/L	A/F
7238-02	5/16	7.54	10.03	0.125
7238-03	3/8	7.54	10.03	0.159
7238-04	7/16	9.14	12.07	0.189
7238-05	1/2	9.14	12.07	0.189
7238-06	9/16	9.93	12.85	0.258
7238-08	3/4	11.13	14.94	0.313
7238-10	7/8	12.7	16.51	0.375
7238-12	1-1/16	15.09	19.66	0.562
7238-14	1-3/16	15.09	19.66	0.562
7238-16	1-5/16	15.09	19.66	0.632
7238-20	1-5/8	15.09	19.66	0.75
7238-24	1-7/8	15.09	19.66	0.75
7238-32	2-1/2	15.09	19.66	0.75

DESIGN DETAILS AND SPECIFICATIONS SUBJECT TO CHANGE WITHOUT PRIOR NOTICE - Whilst every effort has been made to ensure the accuracy of the information supplied herein, Burnett & Hillman cannot be held responsible for any errors or omissions (E&OE)