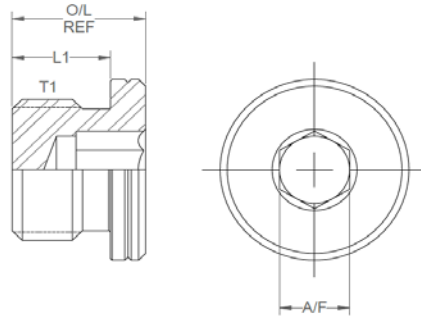


**METRIC socket headed plug 1.5mm
pitch for bonded seal**

Oct-21
0724 IMP

All dimensions are imperial unless stated.

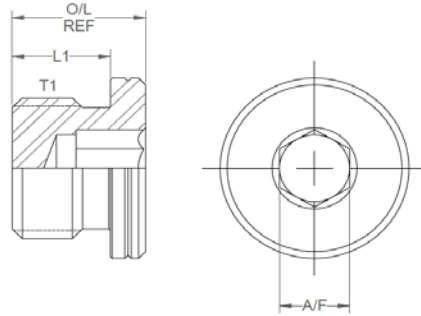


	T1	L1	O/L	A/F
09179-M10-SPG	M10 x 1	0.315	0.48	5mm
09173-M14-SPG	M14 x 1.5	0.472	0.669	6mm
09170-M16-SPG	M16 x 1.5	0.472	0.669	8mm
09176-M22-SPG	M22 x 1.5	0.512	0.709	10mm

**METRIC socket headed plug 1.5mm
 pitch for bonded seal**

Oct-21
 0724 METRIC

A/F dimensions are imperial unless stated.



	T1	L1	O/L	A/F
09179-M10-SPG	M10 x 1	8	12.19	5mm
09173-M14-SPG	M14 x 1.5	11.99	16.99	6mm
09170-M16-SPG	M16 x 1.5	11.99	16.99	8mm
09176-M22-SPG	M22 x 1.5	13	18.01	10mm