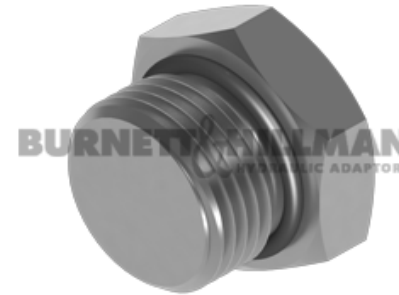
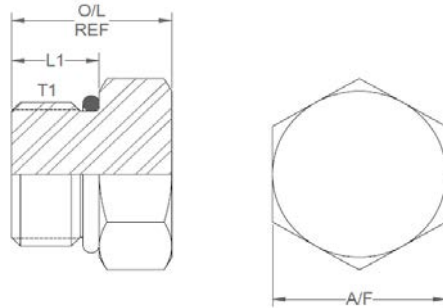
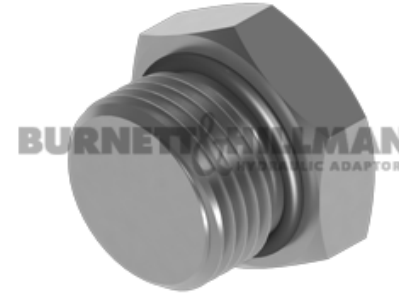
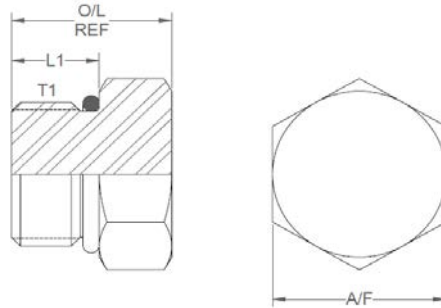


All dimensions are imperial unless stated.



	T1	L1	O/L	A/F
19162	5/16	0.297	0.577	0.437
19149	3/8	0.295	0.605	0.5
19150	7/16	0.36	0.67	0.562
19151	1/2	0.36	0.67	0.625
19152	9/16	0.391	0.73	0.687
19161	5/8	0.4	0.71	0.812
19153	3/4	0.438	0.8	22mm
19154	7/8	0.5	0.84	1
19155	1-1/16	0.594	1.09	1.25
19156	1-3/16	0.594	1.09	1.375
19157	1-5/16	0.594	1.12	1.5
19158	1-5/8	0.594	1.2	50mm
19159	1-7/8	0.594	1.27	55mm
19160	2-1/2	0.594	1.43	70mm

A/F dimensions are imperial unless stated.



	T1	L1	O/L	A/F
19162	5/16	14.66	14.66	0.437
19149	3/8	15.37	15.37	0.5
19150	7/16	17.02	17.02	0.562
19151	1/2	17.02	17.02	0.625
19152	9/16	18.54	18.54	0.687
19161	5/8	18.03	18.03	0.812
19153	3/4	20.32	20.32	22mm
19154	7/8	21.34	21.34	1
19155	1-1/16	27.69	27.69	1.25
19156	1-3/16	27.69	27.69	1.375
19157	1-5/16	28.45	28.45	1.5
19158	1-5/8	30.48	30.48	50mm
19159	1-7/8	32.26	32.26	55mm
19160	2-1/2	36.32	36.32	70mm