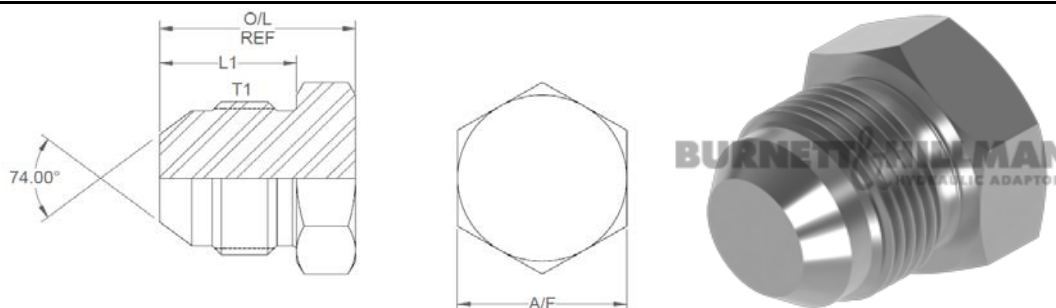
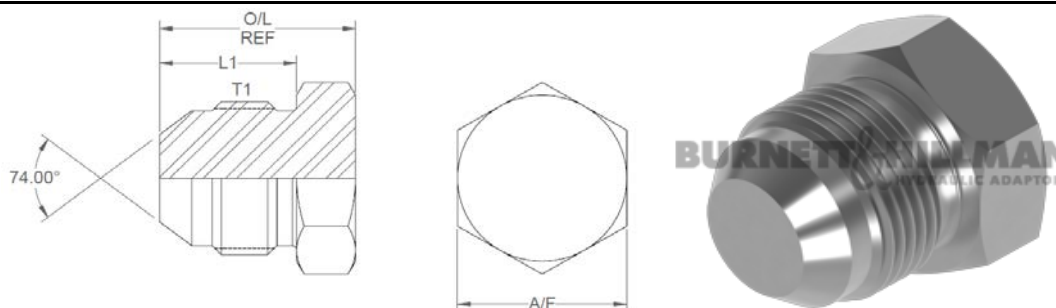


All dimensions are imperial unless stated.



	T1	L1	O/L	A/F
09120	5/16	0.448	0.7	0.437
09119	3/8	0.48	0.695	0.437
09121	7/16	0.55	0.8	0.5
09122	1/2	0.55	0.8	0.562
09123	9/16	0.556	0.84	0.625
09124	3/4	0.657	0.94	0.812
09125	7/8	0.758	1.1	1
09126	1-1/16	0.864	1.28	1.125
09127	1-3/16	0.89	1.31	1.25
09130	1-5/16	0.911	1.33	1.375
09128	1-5/8	0.958	1.45	1.75
09129	1-7/8	1.083	1.65	50mm
09131	2-1/2	1.333	2.05	65mm
09132	3	1.575	2.362	3.25

A/F dimensions are imperial unless stated.



	T1	L1	O/L	A/F
09120	5/16	11.38	17.78	0.437
09119	3/8	12.19	17.65	0.437
09121	7/16	13.97	20.32	0.5
09122	1/2	13.97	20.32	0.562
09123	9/16	14.12	21.34	0.625
09124	3/4	16.69	23.88	0.812
09125	7/8	19.25	27.94	1
09126	1-1/16	21.95	32.51	1.125
09127	1-3/16	22.61	33.27	1.25
09130	1-5/16	23.14	33.78	1.375
09128	1-5/8	24.33	36.83	1.75
09129	1-7/8	27.51	41.91	50mm
09131	2-1/2	33.86	52.07	65mm
09132	3	40.01	59.99	3.25