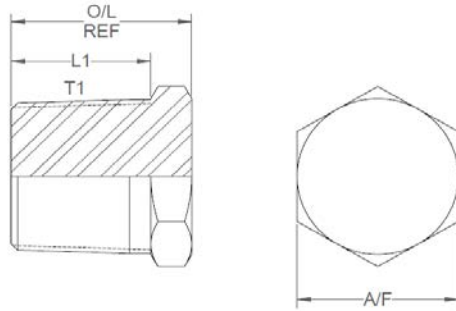
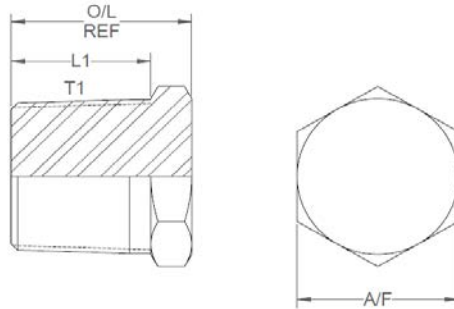


All dimensions are imperial unless stated.



	T1	L1	O/L	A/F
09100	1/8	0.38	0.58	0.437
09101	1/4	0.56	0.77	0.562
09102	3/8	0.56	0.77	0.687
09103	1/2	0.75	0.97	22mm
09105	3/4	0.75	1.13	27mm
09106	1	0.97	1.37	1.375
09107	1-1/4	0.97	1.47	1.75
09108	1-1/2	1	1.53	50mm
09109	2	1.03	1.73	65mm
09110	2-1/2	1.52	2.16	3.25
09111	3	1.6	2.333	90mm
09113	3-1/2	0	0	0
09112	4	1.733	2.533	4.75

A/F dimensions are imperial unless stated.



	T1	L1	O/L	A/F
09100	1/8	9.65	14.73	0.437
09101	1/4	14.22	19.56	0.562
09102	3/8	14.22	19.56	0.687
09103	1/2	19.05	24.64	22mm
09105	3/4	19.05	28.7	27mm
09106	1	24.64	34.8	1.375
09107	1-1/4	24.64	37.34	1.75
09108	1-1/2	25.4	38.86	50mm
09109	2	26.16	43.94	65mm
09110	2-1/2	38.61	54.86	3.25
09111	3	40.64	59.26	90mm
09113	3-1/2	0	0	0
09112	4	44.02	64.34	4.75