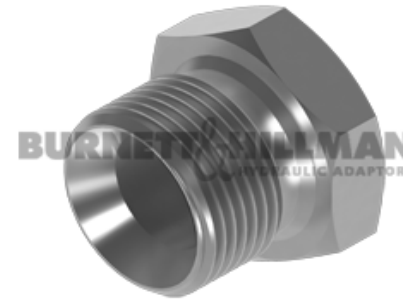
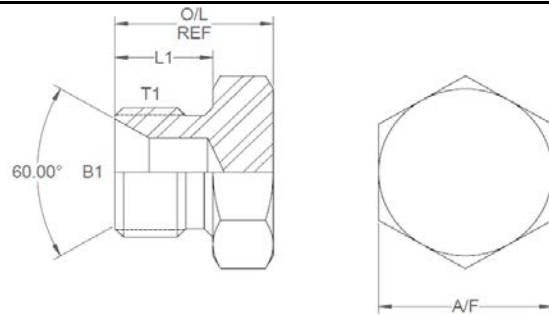
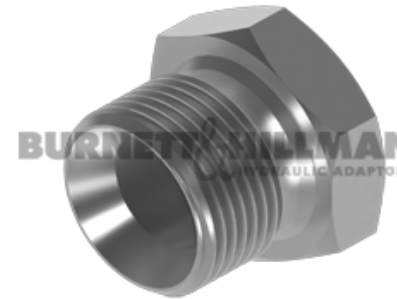
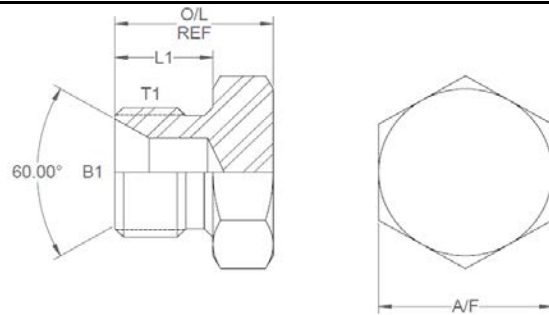


All dimensions are imperial unless stated.



	T1	B1	L1	O/L	A/F
09050	1/8	0.157	0.44	0.64	14mm
09051	1/4	0.185	0.45	0.73	19mm
09052	3/8	0.312	0.52	0.83	22mm
09053	1/2	0.437	0.6	0.97	27mm
09054	5/8	0.562	0.7	1.05	30mm
09055	3/4	0.659	0.75	1.13	32mm
09056	1	0.875	0.8	1.28	41mm
09057	1-1/4	1.125	0.8	1.32	50mm
09058	1-1/2	1.312	0.85	1.39	55mm
09063	1-3/4	1.547	1	1.7	65mm
09059	2	1.781	1.065	1.765	70mm
09060	2-1/2	2.375	1	1.625	3.25
09061	3	2.75	1	1.65	95mm
09062	4	3.75	1	1.8	4.75

A/F dimensions are imperial unless stated.



	T1	B1	L1	O/L	A/F
09050	1/8	3.99	11.18	16.26	14mm
09051	1/4	4.7	11.43	18.54	19mm
09052	3/8	7.92	13.21	21.08	22mm
09053	1/2	11.1	15.24	24.64	27mm
09054	5/8	14.27	17.78	26.67	30mm
09055	3/4	16.74	19.05	28.7	32mm
09056	1	22.23	20.32	32.51	41mm
09057	1-1/4	28.58	20.32	33.53	50mm
09058	1-1/2	33.32	21.59	35.31	55mm
09063	1-3/4	39.29	25.4	43.18	65mm
09059	2	45.24	27.05	44.83	70mm
09060	2-1/2	60.33	25.4	41.28	3.25
09061	3	69.85	25.4	41.91	95mm
09062	4	95.25	25.4	45.72	4.75