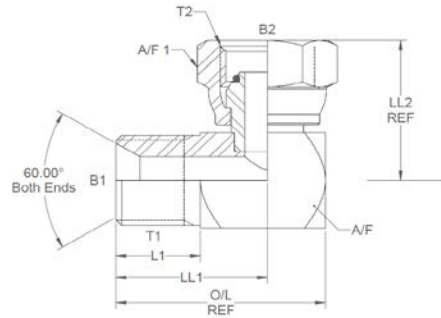
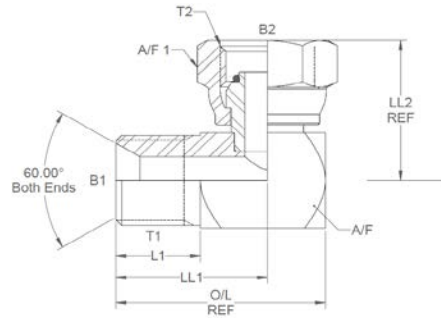


All dimensions are imperial unless stated.



	T1	T2	B1	B2	L1	O/L	LL1	LL2	A/F	A/F1
05000-OR	1/4	1/4	0.185	0.172	0.565	1.335	0.993	0.975	0.625	19mm
05001-OR	3/8	3/8	0.312	0.271	0.6	1.52	1.085	1.158	0.75	22mm
05002-OR	1/2	1/2	0.437	0.375	0.74	1.84	1.329	1.283	0.875	27mm
05004-OR	3/4	3/4	0.625	0.6	0.82	2.06	1.44	1.468	1.125	32mm
05005-OR	1	1	0.812	0.797	1.05	2.475	1.762	1.724	1.375	41mm

A/F dimensions are imperial unless stated.



	T1	T2	B1	B2	L1	O/L	LL1	LL2	A/F	A/F1
05000-OR	1/4	1/4	4.7	4.37	14.35	33.91	25.22	24.77	0.625	19mm
05001-OR	3/8	3/8	7.92	6.88	15.24	38.61	27.56	29.41	0.75	22mm
05002-OR	1/2	1/2	11.1	9.53	18.8	46.74	33.76	32.59	0.875	27mm
05004-OR	3/4	3/4	15.88	15.24	20.83	52.32	36.58	37.29	1.125	32mm
05005-OR	1	1	20.62	20.24	26.67	62.87	44.75	43.79	1.375	41mm