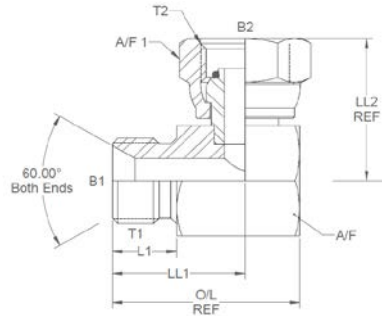


**BSP male for bonded seal x BSP swivel
female O'ring (Soft Seal) 90° compact
elbow**

Oct-21
0632 IMP

All dimensions are imperial unless stated.

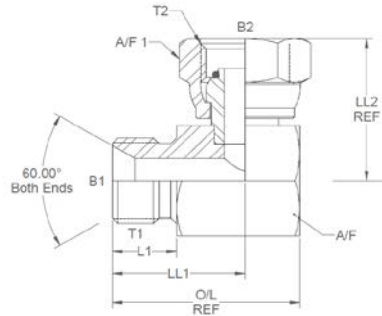


	T1	T2	B1	B2	L1	O/L	LL1	LL2	A/F	A/F1
04014-OR	1/4	1/4	0.185	0.172	0.45	1.27	0.93	1.039	19mm	19mm
04015-OR	3/8	3/8	0.312	0.271	0.52	1.58	1.164	1.221	22mm	22mm
04016-OR	1/2	1/2	0.437	0.375	0.6	1.75	1.239	1.376	27mm	27mm
04017-OR	3/4	3/4	0.625	0.562	0.75	2.22	1.585	1.57	32mm	32mm
04018-OR	1	1	0.875	0.75	0.8	2.66	1.86	1.847	41mm	41mm

**BSP male for bonded seal x BSP swivel
female O'ring (Soft Seal) 90° compact
elbow**

Oct-21
0632 METRIC

A/F dimensions are imperial unless stated.



	T1	T2	B1	B2	L1	O/L	LL1	LL2	A/F	A/F1
04014-OR	1/4	1/4	4.7	4.37	11.43	32.26	23.62	26.39	19mm	19mm
04015-OR	3/8	3/8	7.92	6.88	13.21	40.13	29.57	31.01	22mm	22mm
04016-OR	1/2	1/2	11.1	9.53	15.24	44.45	31.47	34.95	27mm	27mm
04017-OR	3/4	3/4	15.88	14.27	19.05	56.39	40.26	39.88	32mm	32mm
04018-OR	1	1	22.23	19.05	20.32	67.56	47.24	46.91	41mm	41mm