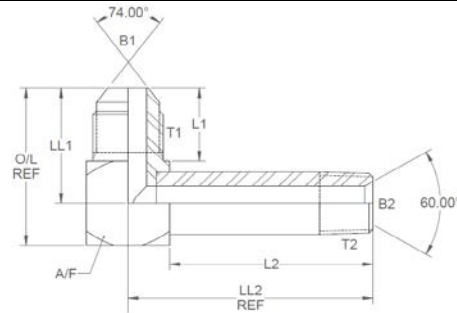
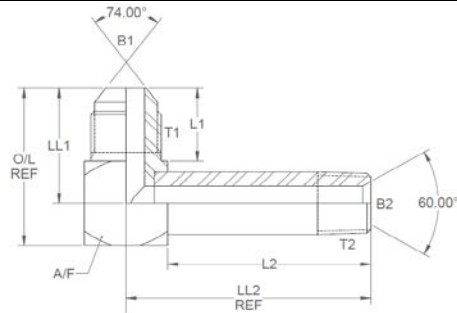


All dimensions are imperial unless stated.



	T1	T2	B1	B2	L1	L2	O/L	LL1	LL2	A/F
34053	7/16	1/4	0.172	0.25	0.635	2.65	1.26	0.948	2.99	0.625
34055	9/16	1/4	0.297	0.25	0.65	2.75	1.32	0.985	3.06	0.625
34059	9/16	3/8	0.297	0.375	0.675	3.35	1.44	1.05	3.75	0.75
34060	3/4	3/8	0.391	0.375	0.775	3.35	1.7	1.237	3.75	0.875
34065	3/4	1/2	0.391	0.5	0.775	4	1.7	1.237	4.5	0.875
34066	7/8	1/2	0.484	0.5	0.875	4	1.925	1.4	4.5	1
34073	1-1/16	3/4	0.609	0.687	0.99	4.5	2.215	1.602	5.03	1.25
34076	1-5/16	1	0.844	0.844	1.125	5.67	2.525	1.825	6.34	1.375

A/F dimensions are imperial unless stated.



	T1	T2	B1	B2	L1	L2	O/L	LL1	LL2	A/F
34053	7/16	1/4	4.37	6.35	16.13	67.31	32	24.08	75.95	0.625
34055	9/16	1/4	7.54	6.35	16.51	69.85	33.53	25.02	77.72	0.625
34059	9/16	3/8	7.54	9.53	17.15	85.09	36.58	26.67	95.25	0.75
34060	3/4	3/8	9.93	9.53	19.69	85.09	43.18	31.42	95.25	0.875
34065	3/4	1/2	9.93	12.7	19.69	101.6	43.18	31.42	114.3	0.875
34066	7/8	1/2	12.29	12.7	22.23	101.6	48.9	35.56	114.3	1
34073	1-1/16	3/4	15.47	17.45	25.15	114.3	56.26	40.69	127.76	1.25
34076	1-5/16	1	21.44	21.44	28.58	144.02	64.14	46.36	161.04	1.375