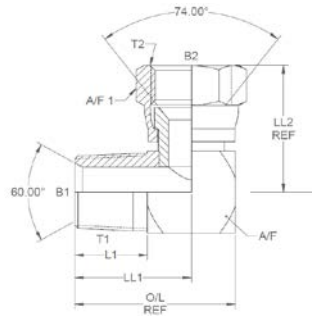
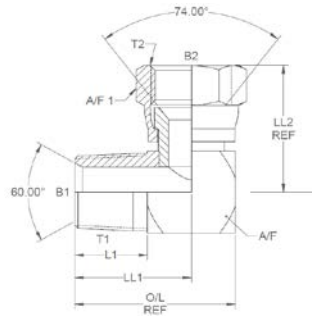


All dimensions are imperial unless stated.



	T1	T2	B1	B2	L1	O/L	LL1	LL2	A/F	A/F1
99000	1/4	7/16	0.25	0.176	0.625	1.3	0.962	0.99	0.625	0.562
99006	1/4	9/16	0.25	0.297	0.71	1.335	1.03	1.12	0.625	0.687
99001	3/8	9/16	0.375	0.297	0.69	1.465	1.077	1.17	0.75	0.687
99002	1/2	3/4	0.5	0.391	0.84	1.84	1.34	1.39	0.875	0.875
99003	3/4	1-1/16	0.687	0.593	0.95	2.1	1.525	1.75	1.125	1.25
99004	1	1-5/16	0.843	0.812	1.25	2.75	2	1.9	1.375	1.5
99005	1-1/4	1-5/8	1.203	1.075	1.5	3.3	2.45	2.17	1.75	50mm

A/F dimensions are imperial unless stated.



	T1	T2	B1	B2	L1	O/L	LL1	LL2	A/F	A/F1
99000	1/4	7/16	6.35	4.47	15.88	33.02	24.43	25.15	0.625	0.562
99006	1/4	9/16	6.35	7.54	18.03	33.91	26.16	28.45	0.625	0.687
99001	3/8	9/16	9.53	7.54	17.53	37.21	27.36	29.72	0.75	0.687
99002	1/2	3/4	12.7	9.93	21.34	46.74	34.04	35.31	0.875	0.875
99003	3/4	1-1/16	17.45	15.06	24.13	53.34	38.74	44.45	1.125	1.25
99004	1	1-5/16	21.41	20.62	31.75	69.85	50.8	48.26	1.375	1.5
99005	1-1/4	1-5/8	30.56	27.31	38.1	83.82	62.23	55.12	1.75	50mm