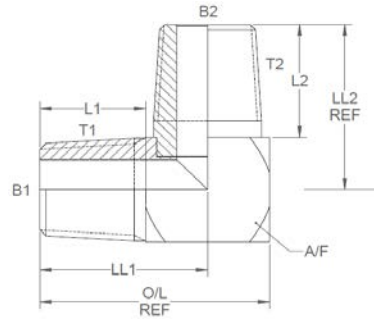
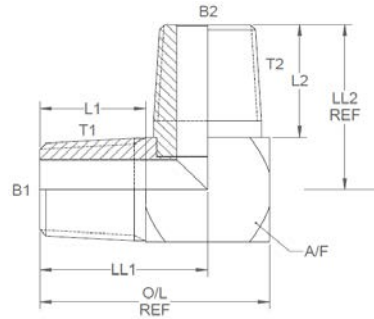


All dimensions are imperial unless stated.



	T1	T2	B1	B2	L1	L2	O/L	LL1	LL2	A/F
83000	1/4	1/4	0.25	0.25	0.6	0.676	1.275	0.937	0.988	0.625
83001	3/8	3/8	0.375	0.375	0.69	0.7	1.465	1.077	1.075	0.75
83002	1/2	1/2	0.5	0.5	0.85	0.94	1.85	1.35	1.377	0.875
83003	3/4	3/4	0.687	0.687	0.97	0.97	2.21	1.59	1.532	1.125
83004	1	1	0.875	0.875	1.25	1.3	2.75	2	1.987	1.375
83005	1-1/4	1-1/4	1.203	1.203	1.5	1.65	3.3	2.4	2.525	1.75

A/F dimensions are imperial unless stated.



	T1	T2	B1	B2	L1	L2	O/L	LL1	LL2	A/F
83000	1/4	1/4	6.35	6.35	15.24	17.17	32.39	23.8	25.1	0.625
83001	3/8	3/8	9.53	9.53	17.53	17.78	37.21	27.36	27.31	0.75
83002	1/2	1/2	12.7	12.7	21.59	23.88	46.99	34.29	34.98	0.875
83003	3/4	3/4	17.45	17.45	24.64	24.64	56.13	40.39	38.91	1.125
83004	1	1	22.23	22.23	31.75	33.02	69.85	50.8	50.47	1.375
83005	1-1/4	1-1/4	30.56	30.56	38.1	41.91	83.82	60.96	64.14	1.75