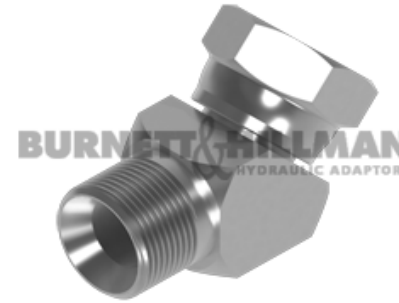
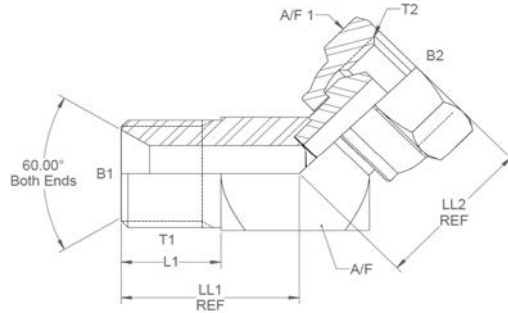
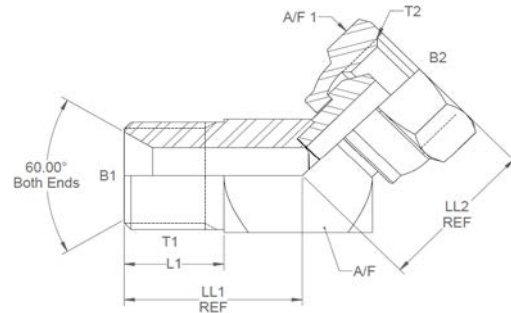


All dimensions are imperial unless stated.



	T1	T2	B1	B2	L1	LL1	LL2	A/F	A/F1
05000/45	1/4	1/4	0.185	0.172	0.433	0.826	1.02	14mm	19mm
05001/45	3/8	3/8	0.312	0.275	0.472	0.944	1.233	17mm	22mm
05002/45	1/2	1/2	0.437	0.375	0.551	1.062	1.31	22mm	27mm
04020/45	5/8	5/8	0.562	0.5	0.7	1.15	1.2	30mm	30mm
05004/45	3/4	3/4	0.659	0.6	0.63	1.3	1.56	27mm	32mm
05005/45	1	1	0.875	0.797	0.748	1.378	1.719	33mm	41mm

A/F dimensions are imperial unless stated.



	T1	T2	B1	B2	L1	LL1	LL2	A/F	A/F1
05000/45	1/4	1/4	4.7	4.37	11	20.98	25.91	14mm	19mm
05001/45	3/8	3/8	7.92	6.99	11.99	23.98	31.32	17mm	22mm
05002/45	1/2	1/2	11.1	9.53	14	26.97	33.27	22mm	27mm
04020/45	5/8	5/8	14.27	12.7	17.78	29.21	30.48	30mm	30mm
05004/45	3/4	3/4	16.74	15.24	16	33.02	39.62	27mm	32mm
05005/45	1	1	22.23	20.24	19	35	43.66	33mm	41mm