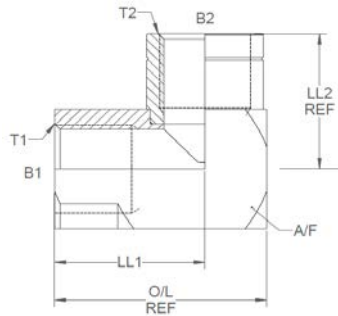


BSP fixed female x BSP fixed female 90° compact elbow

Oct-21
0622 IMP

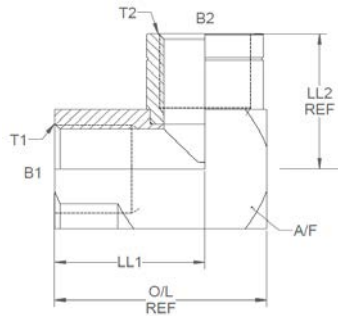
All dimensions are imperial unless stated.



	T1	T2	B1	B2	O/L	LL1	LL2	A/F
15026	1/4	1/4	0.465	0.465	1.3	0.866	0.866	19mm
15027	3/8	3/8	0.6	0.6	1.515	1.004	1.004	22mm
15028	1/2	1/2	0.75	0.75	1.81	1.22	1.22	27mm
15030	3/4	3/4	0.964	0.964	2.09	1.339	1.339	33.33mm
15031	1	1	1.21	1.21	2.5	1.595	1.595	41.27mm
15032	1-1/4	1-1/4	1.555	1.555	3.7	2.575	2.205	2.25
15033	1-1/2	1-1/2	1.781	1.781	3.6	2.25	2.5	2.5
15034	2	2	2.25	2.25	4.22	2.72	2.9	3

DESIGN DETAILS AND SPECIFICATIONS SUBJECT TO CHANGE WITHOUT PRIOR NOTICE - Whilst every effort has been made to ensure the accuracy of the information supplied herein, Burnett & Hillman cannot be held responsible for any errors or omissions (E&OE)

A/F dimensions are imperial unless stated.



	T1	T2	B1	B2	O/L	LL1	LL2	A/F
15026	1/4	1/4	11.81	11.81	33.02	22	22	19mm
15027	3/8	3/8	15.24	15.24	38.48	25.5	25.5	22mm
15028	1/2	1/2	19.05	19.05	45.97	30.99	30.99	27mm
15030	3/4	3/4	24.49	24.49	53.09	34.01	34.01	33.33mm
15031	1	1	30.73	30.73	63.5	40.51	40.51	41.27mm
15032	1-1/4	1-1/4	39.5	39.5	93.98	65.41	56.01	2.25
15033	1-1/2	1-1/2	45.24	45.24	91.44	57.15	63.5	2.5
15034	2	2	57.15	57.15	107.19	69.09	73.66	3