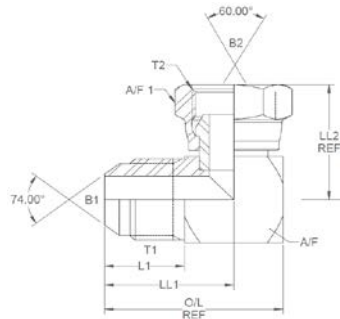
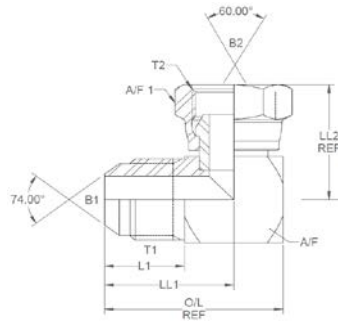


All dimensions are imperial unless stated.



	T1	T2	B1	B2	L1	O/L	LL1	LL2	A/F	A/F1
09612	7/16	1/4	0.172	0.172	0.64	1.265	0.952	1.04	0.625	19mm
09614	9/16	1/4	0.297	0.172	0.7	1.325	1.012	1.015	0.625	19mm
09605	9/16	3/8	0.297	0.271	0.7	1.45	1.075	1.3	0.75	22mm
09608	3/4	3/8	0.391	0.271	0.775	1.7	1.237	1.23	0.875	22mm
09606	3/4	1/2	0.391	0.375	0.86	1.735	1.297	1.45	0.875	27mm
09613	7/8	1/2	0.484	0.375	0.875	1.925	1.4	1.33	1	27mm
09607	1-1/16	3/4	0.609	0.6	0.99	2.215	1.602	1.47	1.125	32mm
09609	1.5/16	1	0.844	0.797	1.125	2.525	1.825	1.72	1.375	41mm
09611	1-5/8	1-1/4	1.078	1.014	1.23	2.98	2.105	2.46	1.75	50mm
09610	1-7/8	1-1/2	0	0	0	0	0	0	0	0

A/F dimensions are imperial unless stated.



	T1	T2	B1	B2	L1	O/L	LL1	LL2	A/F	A/F1
09612	7/16	1/4	4.37	4.37	16.26	32.13	24.18	26.42	0.625	19mm
09614	9/16	1/4	7.54	4.37	17.78	33.66	25.7	25.78	0.625	19mm
09605	9/16	3/8	7.54	6.88	17.78	36.83	27.31	33.02	0.75	22mm
09608	3/4	3/8	9.93	6.88	19.69	43.18	31.42	31.24	0.875	22mm
09606	3/4	1/2	9.93	9.53	21.84	44.07	32.94	36.83	0.875	27mm
09613	7/8	1/2	12.29	9.53	22.23	48.9	35.56	33.78	1	27mm
09607	1-1/16	3/4	15.47	15.24	25.15	56.26	40.69	37.34	1.125	32mm
09609	1.5/16	1	21.44	20.24	28.58	64.14	46.36	43.69	1.375	41mm
09611	1-5/8	1-1/4	27.38	25.76	31.24	75.69	53.47	62.48	1.75	50mm
09610	1-7/8	1-1/2	0	0	0	0	0	0	0	0