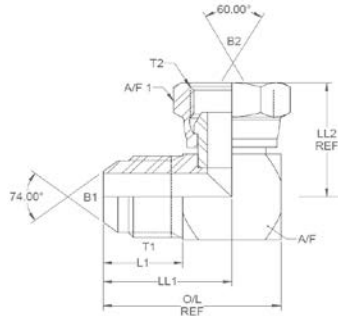
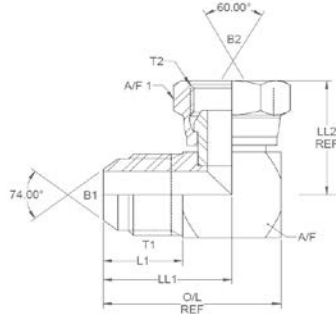


All dimensions are imperial unless stated.



	T1	T2	B1	B2	L1	O/L	LL1	LL2	A/F	A/F1
05050	7/16	7/16	0.172	0.176	0.64	1.135	0.885	1	12mm	14mm
05050-04-06	7/16	9/16	0	0	0	0	0	0	0	0
05051	1/2	1/2	0.234	0.234	0.64	1.26	0.944	1.059	14mm	0.625
05052	9/16	9/16	0.297	0.297	0.65	1.35	1.062	1.251	14mm	0.687
05053	3/4	3/4	0.391	0.391	0.775	1.68	1.26	1.381	19mm	22mm
05062	3/4	7/8	0.391	0.5	0.86	1.73	1.33	1.62	1	1
05061	7/8	3/4	0.484	0.391	0.875	1.925	1.425	1.47	1	0.875
05054	7/8	7/8	0.484	0.484	0.875	1.933	1.457	1.618	22mm	1
05055	1-1/16	1-1/16	0.609	0.609	0.99	2.244	1.654	1.748	27mm	1.25
05057	1-3/16	1-3/16	0.718	0.718	1.05	2.52	1.811	2	32mm	1.375
05056	1-5/16	1-5/16	0.844	0.844	1.1	2.56	1.811	2	32mm	1.5
05058	1-5/8	1-5/8	1.078	1.078	1.1	2.93	2.066	2.311	41mm	50mm
05059	1-7/8	1-7/8	1.312	1.25	1.24	3.365	2.303	2.45	2	55mm
05063	2-1/2	2-1/2	1.781	1.75	1.55	4.5	3.06	3.15	2.75	70mm

A/F dimensions are imperial unless stated.



	T1	T2	B1	B2	L1	O/L	LL1	LL2	A/F	A/F1
05050	7/16	7/16	4.37	4.47	16.26	28.83	22.48	25.4	12mm	14mm
05050-04-06	7/16	9/16	0	0	0	0	0	0	0	0
05051	1/2	1/2	5.94	5.94	16.26	32	23.98	26.9	14mm	0.625
05052	9/16	9/16	7.54	7.54	16.51	34.29	26.97	31.78	14mm	0.687
05053	3/4	3/4	9.93	9.93	19.69	42.67	32	35.08	19mm	22mm
05062	3/4	7/8	9.93	12.7	21.84	43.94	33.78	41.15	1	1
05061	7/8	3/4	12.29	9.93	22.23	48.9	36.2	37.34	1	0.875
05054	7/8	7/8	12.29	12.29	22.23	49.1	37.01	41.1	22mm	1
05055	1-1/16	1-1/16	15.47	15.47	25.15	57	42.01	44.4	27mm	1.25
05057	1-3/16	1-3/16	18.24	18.24	26.67	64.01	46	50.8	32mm	1.375
05056	1-5/16	1-5/16	21.44	21.44	27.94	65.02	46	50.8	32mm	1.5
05058	1-5/8	1-5/8	27.38	27.38	27.94	74.42	52.48	58.7	41mm	50mm
05059	1-7/8	1-7/8	33.32	31.75	31.5	85.47	58.5	62.23	2	55mm
05063	2-1/2	2-1/2	45.24	44.45	39.37	114.3	77.72	80.01	2.75	70mm