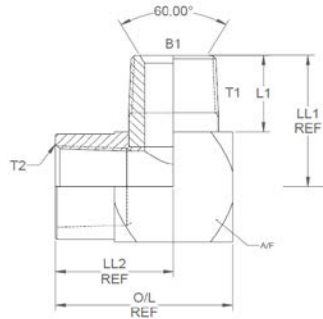
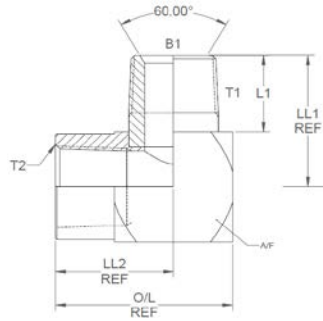


All dimensions are imperial unless stated.



	T1	T2	B1	L1	O/L	LL1	LL2	A/F
07050	1/8	1/8	0.188	0.48	0.946	0.775	0.67	14mm
07044	1/4	1/8	0.25	0.725	1.03	1.037	0.71	0.625
07051	1/4	1/4	0.275	0.66	1.29	1.09	0.93	19mm
07047	1/4	3/8	0.25	0.72	1.625	1.12	1.125	1
07048	3/8	1/4	0.375	0.72	1.355	1.095	0.967	0.75
07052	3/8	3/8	0.4	0.66	1.51	1.24	1.04	22mm
07043	3/8	1/2	0.375	0.72	1.835	1.282	1.273	1.125
07046	1/2	1/4	0.5	0.84	1.47	1.34	1.04	0.875
07049	1/2	3/8	0.5	0.943	1.625	1.443	1.125	1
07053	1/2	1/2	0.535	0.9	1.84	1.49	1.2	27mm
07045	3/4	3/8	0.687	0.95	2.1	1.512	1.44	1.125
07054	3/4	3/4	0.687	0.95	2.1	1.637	1.4	1.375
07055	1	1	0.844	1.315	2.625	2.19	1.75	1.75
07056	1-1/4	1-1/4	1.203	1.49	3.087	2.49	2.037	2
07057	1-1/2	1-1/2	1.312	1.64	3.55	2.89	2.275	2.5
07058	2	2	1.75	1.7	4.215	3.2	2.715	3

A/F dimensions are imperial unless stated.



	T1	T2	B1	L1	O/L	LL1	LL2	A/F
07050	1/8	1/8	4.78	12.19	24.03	19.69	17.02	14mm
07044	1/4	1/8	6.35	18.42	26.16	26.34	18.03	0.625
07051	1/4	1/4	6.99	16.76	32.77	27.69	23.62	19mm
07047	1/4	3/8	6.35	18.29	41.28	28.45	28.58	1
07048	3/8	1/4	9.53	18.29	34.42	27.81	24.56	0.75
07052	3/8	3/8	10.16	16.76	38.35	31.5	26.42	22mm
07043	3/8	1/2	9.53	18.29	46.61	32.56	32.33	1.125
07046	1/2	1/4	12.7	21.34	37.34	34.04	26.42	0.875
07049	1/2	3/8	12.7	23.95	41.28	36.65	28.58	1
07053	1/2	1/2	13.59	22.86	46.74	37.85	30.48	27mm
07045	3/4	3/8	17.45	24.13	53.34	38.4	36.58	1.125
07054	3/4	3/4	17.45	24.13	53.34	41.58	35.56	1.375
07055	1	1	21.44	33.4	66.68	55.63	44.45	1.75
07056	1-1/4	1-1/4	30.56	37.85	78.41	63.25	51.74	2
07057	1-1/2	1-1/2	33.32	41.66	90.17	73.41	57.79	2.5
07058	2	2	44.45	43.18	107.06	81.28	68.96	3