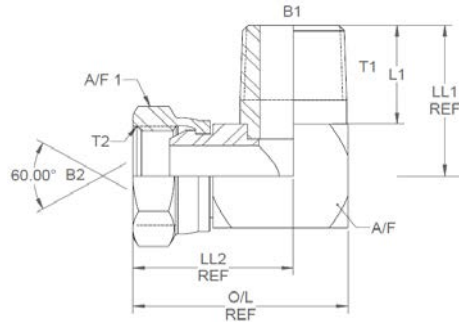
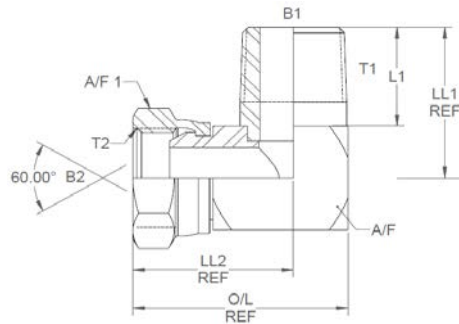


All dimensions are imperial unless stated.



	T1	T2	B1	B2	L1	O/L	LL1	LL2	A/F	A/F1
09410	1/8	1/8	0.125	0.188	0.52	1.19	0.915	0.77	0.5	14mm
09405	1/4	1/4	0.172	0.25	0.68	1.38	0.988	0.993	0.625	19mm
09406	3/8	3/8	0.271	0.375	0.7	1.715	1.24	1.075	0.75	22mm
09407	1/2	1/2	0.375	0.5	0.95	1.88	1.35	1.4	0.875	27mm
09411	3/4	1/2	0.687	0.375	0.97	1.97	1.59	1.42	1.125	27mm
09408	3/4	3/4	0.687	0.6	0.97	1.97	1.59	1.505	1.125	32mm
09409	1	1	0.843	0.797	1.25	2.4	2.023	1.716	1.375	41mm
09412	1-1/2	1-1/2	1.312	1.201	1.6	3.33	2.725	2.35	2	55mm

A/F dimensions are imperial unless stated.



	T1	T2	B1	B2	L1	O/L	LL1	LL2	A/F	A/F1
09410	1/8	1/8	3.18	4.78	13.21	30.23	23.24	19.56	0.5	14mm
09405	1/4	1/4	4.37	6.35	17.27	35.05	25.1	25.22	0.625	19mm
09406	3/8	3/8	6.88	9.53	17.78	43.56	31.5	27.31	0.75	22mm
09407	1/2	1/2	9.53	12.7	24.13	47.75	34.29	35.56	0.875	27mm
09411	3/4	1/2	17.45	9.53	24.64	50.04	40.39	36.07	1.125	27mm
09408	3/4	3/4	17.45	15.24	24.64	50.04	40.39	38.23	1.125	32mm
09409	1	1	21.41	20.24	31.75	60.96	51.38	43.59	1.375	41mm
09412	1-1/2	1-1/2	33.32	30.51	40.64	84.58	69.22	59.69	2	55mm