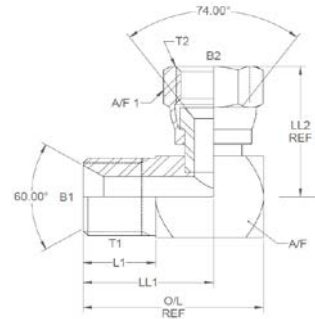


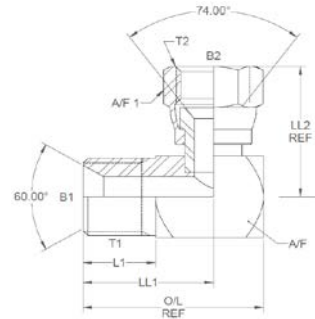
All dimensions are imperial unless stated.



	T1	T2	B1	B2	L1	O/L	LL1	LL2	A/F	A/F1
19504	1/4	7/16	0.185	0.176	0.565	1.335	0.993	1	0.625	0.562
19514	1/4	1/2	0.185	0.203	0.565	1.335	0.993	1.02	0.625	0.625
19511	1/4	9/16	0.185	0.297	0.565	1.375	0.993	1.05	0.625	0.687
19505	3/8	9/16	0.312	0.297	0.6	1.52	1.085	1.14	0.75	0.687
19507	3/8	3/4	0.375	0.39	0.6	1.52	1.085	1.34	0.75	0.875
19508	1/2	9/16	0.437	0.297	0.74	1.84	1.329	1.23	0.875	0.687
19509	1/2	3/4	0.437	0.391	0.74	1.84	1.329	1.37	0.875	0.875
19506	1/2	7/8	0.437	0.5	0.74	1.84	1.329	1.5	0.875	1
19513	5/8	7/8	0.562	0.5	0.835	1.975	1.45	1.55	1	1
19510	3/4	1-1/16	0.625	0.593	0.82	2.06	1.44	1.738	1.125	1.25
19515	3/4	1-5/16	0	0	0	0	0	0	0	0
19512	1	7/8	0	0	0	0	0	0	0	0
19516	1	1-5/16	0.812	0.812	1.05	2.475	1.762	1.88	1.375	1.5

DESIGN DETAILS AND SPECIFICATIONS SUBJECT TO CHANGE WITHOUT PRIOR NOTICE - Whilst every effort has been made to ensure the accuracy of the information supplied herein, Burnett & Hillman cannot be held responsible for any errors or omissions (E&OE)

A/F dimensions are imperial unless stated.



	T1	T2	B1	B2	L1	O/L	LL1	LL2	A/F	A/F1
19504	1/4	7/16	4.7	4.47	14.35	33.91	25.22	25.4	0.625	0.562
19514	1/4	1/2	4.7	5.16	14.35	33.91	25.22	25.91	0.625	0.625
19511	1/4	9/16	4.7	7.54	14.35	34.93	25.22	26.67	0.625	0.687
19505	3/8	9/16	7.92	7.54	15.24	38.61	27.56	28.96	0.75	0.687
19507	3/8	3/4	9.53	9.91	15.24	38.61	27.56	34.04	0.75	0.875
19508	1/2	9/16	11.1	7.54	18.8	46.74	33.76	31.24	0.875	0.687
19509	1/2	3/4	11.1	9.93	18.8	46.74	33.76	34.8	0.875	0.875
19506	1/2	7/8	11.1	12.7	18.8	46.74	33.76	38.1	0.875	1
19513	5/8	7/8	14.27	12.7	21.21	50.17	36.83	39.37	1	1
19510	3/4	1-1/16	15.88	15.06	20.83	52.32	36.58	44.15	1.125	1.25
19515	3/4	1-5/16	0	0	0	0	0	0	0	0
19512	1	7/8	0	0	0	0	0	0	0	0
19516	1	1-5/16	20.62	20.62	26.67	62.87	44.75	47.75	1.375	1.5