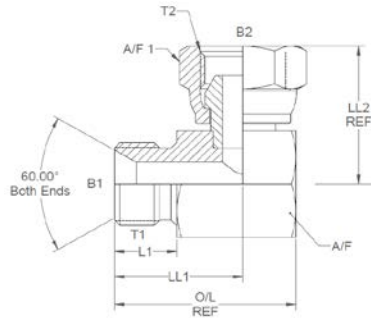


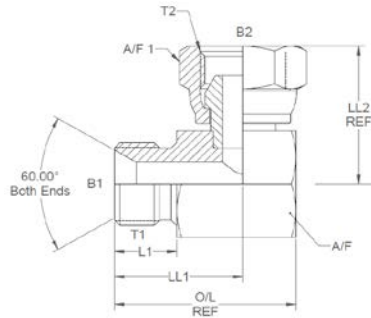
All dimensions are imperial unless stated.



	T1	T2	B1	B2	L1	O/L	LL1	LL2	A/F	A/F1
04012	1/8	1/8	0.137	0.125	0.44	1.11	0.81	0.836	14mm	14mm
04014	1/4	1/4	0.185	0.172	0.45	1.27	0.93	1.039	19mm	19mm
04013	3/8	1/4	0.375	0.172	0.52	1.58	1.164	1.07	22mm	19mm
04015	3/8	3/8	0.312	0.271	0.52	1.58	1.164	1.221	22mm	22mm
04016-04BF	1/2	1/4	0.437	0.172	0.6	1.75	1.239	1.275	27mm	19mm
04021	1/2	3/8	0.437	0.271	0.6	1.75	1.239	1.32	27mm	22mm
04016	1/2	1/2	0.437	0.375	0.6	1.75	1.239	1.376	27mm	27mm
04024	1/2	5/8	0.437	0.437	0.6	1.75	1.239	1.47	27mm	30mm
04011	1/2	3/4	0.437	0.562	0.6	2.07	1.46	1.57	32mm	32mm
04020	5/8	5/8	0.562	0.437	0.7	1.95	1.412	1.536	30mm	30mm
04022	3/4	1/2	0.625	0.375	0.75	2.22	1.585	1.47	32mm	27mm
04017	3/4	3/4	0.625	0.562	0.75	2.22	1.585	1.57	32mm	32mm
04018	1	1	0.875	0.75	0.8	2.66	1.86	1.847	41mm	41mm
04019	1-1/4	1-1/4	1.125	0.875	0.8	3.085	2.135	2.079	50mm	50mm
04025	1-1/2	1-1/2	1.312	0.98	0.85	3.45	2.342	2.385	55mm	55mm
04023	2	2	1.75	1.3	1	3.75	2.375	2.907	70mm	70mm

DESIGN DETAILS AND SPECIFICATIONS SUBJECT TO CHANGE WITHOUT PRIOR NOTICE - Whilst every effort has been made to ensure the accuracy of the information supplied herein, Burnett & Hillman cannot be held responsible for any errors or omissions (E&OE)

A/F dimensions are imperial unless stated.



	T1	T2	B1	B2	L1	O/L	LL1	LL2	A/F	A/F1
04012	1/8	1/8	3.48	3.18	11.18	28.19	20.57	21.23	14mm	14mm
04014	1/4	1/4	4.7	4.37	11.43	32.26	23.62	26.39	19mm	19mm
04013	3/8	1/4	9.53	4.37	13.21	40.13	29.57	27.18	22mm	19mm
04015	3/8	3/8	7.92	6.88	13.21	40.13	29.57	31.01	22mm	22mm
04016-04BF	1/2	1/4	11.1	4.37	15.24	44.45	31.47	32.39	27mm	19mm
04021	1/2	3/8	11.1	6.88	15.24	44.45	31.47	33.53	27mm	22mm
04016	1/2	1/2	11.1	9.53	15.24	44.45	31.47	34.95	27mm	27mm
04024	1/2	5/8	11.1	11.1	15.24	44.45	31.47	37.34	27mm	30mm
04011	1/2	3/4	11.1	14.27	15.24	52.58	37.08	39.88	32mm	32mm
04020	5/8	5/8	14.27	11.1	17.78	49.53	35.86	39.01	30mm	30mm
04022	3/4	1/2	15.88	9.53	19.05	56.39	40.26	37.34	32mm	27mm
04017	3/4	3/4	15.88	14.27	19.05	56.39	40.26	39.88	32mm	32mm
04018	1	1	22.23	19.05	20.32	67.56	47.24	46.91	41mm	41mm
04019	1-1/4	1-1/4	28.58	22.23	20.32	78.36	54.23	52.81	50mm	50mm
04025	1-1/2	1-1/2	33.32	24.89	21.59	87.63	59.49	60.58	55mm	55mm
04023	2	2	44.45	33.02	25.4	95.25	60.33	73.84	70mm	70mm