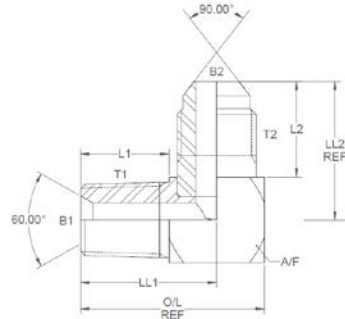


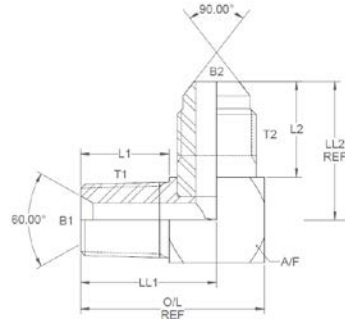
All dimensions are imperial unless stated.



	T1	T2	B1	B2	L1	L2	O/L	LL1	LL2	A/F
07020	1/8	7/16	0.188	0.187	0.38	0.585	0.88	0.63	0.835	0.5
07021	1/8	1/2	0.188	0.219	0.38	0.62	1.02	0.7	0.932	0.625
07022	1/4	7/16	0.25	0.187	0.625	0.585	1.39	1.078	0.897	0.625
07023	1/4	1/2	0.25	0.219	0.625	0.62	1.39	1.078	0.932	0.625
07024	1/4	5/8	0.25	0.281	0.69	0.75	1.44	1.065	1.15	0.75
07025	1/4	3/4	0.25	0.406	0.69	0.82	1.575	1.127	1.285	0.875
07026	3/8	7/16	0.375	0.187	0.69	0.585	1.56	1.185	0.96	0.75
07027	3/8	1/2	0.375	0.219	0.69	0.62	1.56	1.185	0.995	0.75
07028	3/8	5/8	0.375	0.281	0.69	0.75	1.465	1.077	1.125	0.75
07029	3/8	3/4	0.375	0.406	0.69	0.82	1.565	1.257	1.285	0.875
07030	3/8	7/8	0.375	0.5	0.69	0.89	1.69	1.19	1.395	1
07031	1/2	5/8	0.5	0.281	0.84	0.75	1.84	1.403	1.187	0.875
07032	1/2	3/4	0.5	0.406	0.84	0.85	1.84	1.34	1.287	0.875
07033	1/2	7/8	0.5	0.5	0.84	1.01	1.84	1.34	1.447	0.875
07037	3/4	7/8	0.687	0.5	0.95	1.01	2.1	1.525	1.572	1.125
07038	3/4	1-1/16	0.687	0.625	0.95	1.07	2.1	1.525	1.632	1.125

DESIGN DETAILS AND SPECIFICATIONS SUBJECT TO CHANGE WITHOUT PRIOR NOTICE - Whilst every effort has been made to ensure the accuracy of the information supplied herein, Burnett & Hillman cannot be held responsible for any errors or omissions (E&OE)

A/F dimensions are imperial unless stated.



	T1	T2	B1	B2	L1	L2	O/L	LL1	LL2	A/F
07020	1/8	7/16	4.78	4.75	9.65	14.86	22.35	16	21.21	0.5
07021	1/8	1/2	4.78	5.56	9.65	15.75	25.91	17.78	23.67	0.625
07022	1/4	7/16	6.35	4.75	15.88	14.86	35.31	27.38	22.78	0.625
07023	1/4	1/2	6.35	5.56	15.88	15.75	35.31	27.38	23.67	0.625
07024	1/4	5/8	6.35	7.14	17.53	19.05	36.58	27.05	29.21	0.75
07025	1/4	3/4	6.35	10.31	17.53	20.83	40.01	28.63	32.64	0.875
07026	3/8	7/16	9.53	4.75	17.53	14.86	39.62	30.1	24.38	0.75
07027	3/8	1/2	9.53	5.56	17.53	15.75	39.62	30.1	25.27	0.75
07028	3/8	5/8	9.53	7.14	17.53	19.05	37.21	27.36	28.58	0.75
07029	3/8	3/4	9.53	10.31	17.53	20.83	39.75	31.93	32.64	0.875
07030	3/8	7/8	9.53	12.7	17.53	22.61	42.93	30.23	35.43	1
07031	1/2	5/8	12.7	7.14	21.34	19.05	46.74	35.64	30.15	0.875
07032	1/2	3/4	12.7	10.31	21.34	21.59	46.74	34.04	32.69	0.875
07033	1/2	7/8	12.7	12.7	21.34	25.65	46.74	34.04	36.75	0.875
07037	3/4	7/8	17.45	12.7	24.13	25.65	53.34	38.74	39.93	1.125
07038	3/4	1-1/16	17.45	15.88	24.13	27.18	53.34	38.74	41.45	1.125