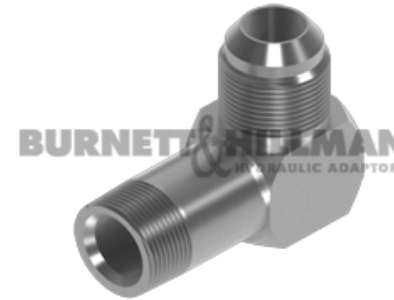
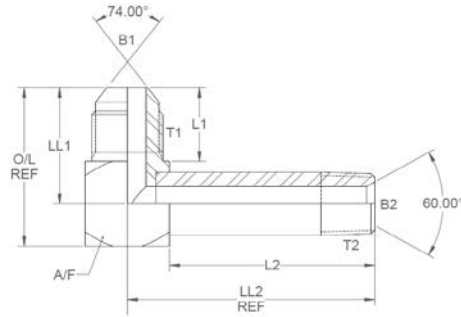
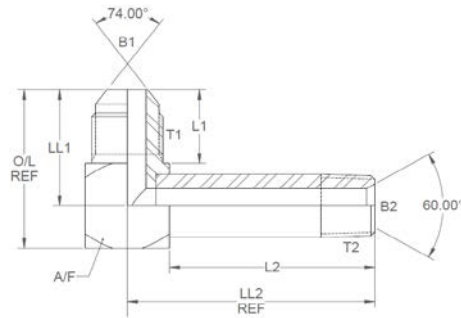


All dimensions are imperial unless stated.



	T1	T2	B1	B2	L1	L2	O/L	LL1	LL2	A/F
24053	7/16	1/4	0.172	0.25	0.635	1.66	1.26	0.948	1.99	0.625
24055	9/16	1/4	0.297	0.25	0.65	1.73	1.32	0.985	2.06	0.625
24059	9/16	3/8	0.297	0.375	0.675	2.22	1.44	1.05	2.41	0.75
24060	3/4	3/8	0.391	0.375	0.775	2.07	1.7	1.237	2.5	0.875
24065	3/4	1/2	0.391	0.5	0.775	2.516	1.7	1.237	3	0.875
24066	7/8	1	0.484	0.5	0.875	2.516	1.925	1.4	3	1
24082	1/2	1-1/16	0	0	0	0	0	0	0	0
24073	1-1/16	3/4	0.609	0.687	0.99	2.78	2.215	1.602	3.34	1.125
24076	1-5/16	1	0.844	0.844	1.125	3.5	2.525	1.825	4.19	1.375

A/F dimensions are imperial unless stated.



	T1	T2	B1	B2	L1	L2	O/L	LL1	LL2	A/F
24053	7/16	1/4	4.37	6.35	16.13	42.16	32	24.08	50.55	0.625
24055	9/16	1/4	7.54	6.35	16.51	43.94	33.53	25.02	52.32	0.625
24059	9/16	3/8	7.54	9.53	17.15	56.39	36.58	26.67	61.21	0.75
24060	3/4	3/8	9.93	9.53	19.69	52.58	43.18	31.42	63.5	0.875
24065	3/4	1/2	9.93	12.7	19.69	63.91	43.18	31.42	76.2	0.875
24066	7/8	1	12.29	12.7	22.23	63.91	48.9	35.56	76.2	1
24082	1/2	1-1/16	0	0	0	0	0	0	0	0
24073	1-1/16	3/4	15.47	17.45	25.15	70.61	56.26	40.69	84.84	1.125
24076	1-5/16	1	21.44	21.44	28.58	88.9	64.14	46.36	106.43	1.375