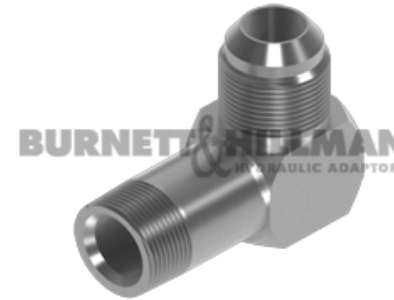
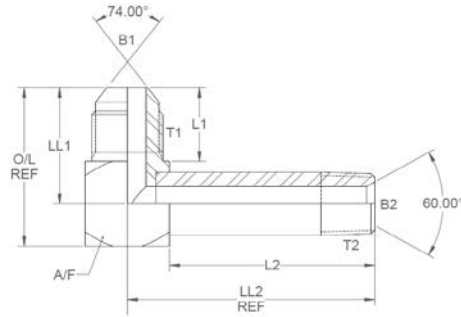
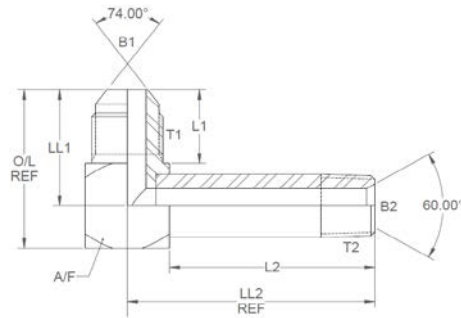


All dimensions are imperial unless stated.



	T1	T2	B1	B2	L1	L2	O/L	LL1	LL2	A/F
14053	7/16	1/4	0.172	0.25	0.635	1.278	1.26	0.948	1.59	0.625
14055	9/16	1/4	0.297	0.25	0.65	1.348	1.32	0.985	1.66	0.625
14059	9/16	3/8	0.297	0.375	0.675	1.435	1.44	1.05	1.81	0.75
14060	3/4	3/8	0.391	0.375	0.775	1.373	1.7	1.237	1.81	0.875
14065	3/4	1/2	0.391	0.5	0.775	1.723	1.7	1.237	2.16	0.875
14066	7/8	1/2	0.484	0.5	0.875	1.72	1.925	1.4	2.22	1
14073	1-1/16	3/4	0.609	0.687	0.99	1.908	2.215	1.602	2.47	1.125
14076	1-5/16	1	0.844	0.844	1.125	2.373	2.525	1.825	3.06	1.375

A/F dimensions are imperial unless stated.



	T1	T2	B1	B2	L1	L2	O/L	LL1	LL2	A/F
14053	7/16	1/4	4.37	6.35	16.13	32.46	32	24.08	40.39	0.625
14055	9/16	1/4	7.54	6.35	16.51	34.24	33.53	25.02	42.16	0.625
14059	9/16	3/8	7.54	9.53	17.15	36.45	36.58	26.67	45.97	0.75
14060	3/4	3/8	9.93	9.53	19.69	34.87	43.18	31.42	45.97	0.875
14065	3/4	1/2	9.93	12.7	19.69	43.76	43.18	31.42	54.86	0.875
14066	7/8	1/2	12.29	12.7	22.23	43.69	48.9	35.56	56.39	1
14073	1-1/16	3/4	15.47	17.45	25.15	48.46	56.26	40.69	62.74	1.125
14076	1-5/16	1	21.44	21.44	28.58	60.27	64.14	46.36	77.72	1.375