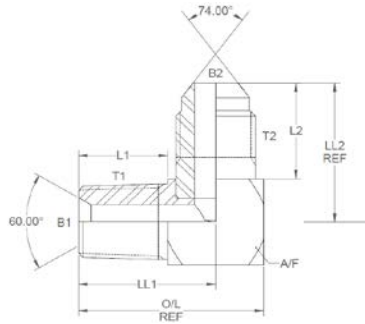


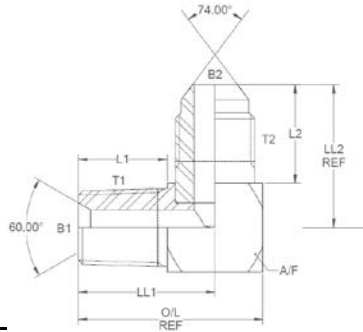
All dimensions are imperial unless stated.



	T1	T2	B1	B2	L1	L2	O/L	LL1	LL2	A/F
04086	1/8	5/16	0.188	0.062	0.38	0.48	0.88	0.63	0.73	0.5
04067	1/8	3/8	0.188	0.125	0.38	0.57	0.88	0.63	0.82	0.5
04050	1/8	7/16	0.188	0.172	0.38	0.64	1.01	0.78	0.89	0.438
04051	1/8	1/2	0.188	0.234	0.52	0.64	1.145	0.832	0.965	0.625
04052	1/8	9/16	0.188	0.297	0.52	0.65	1.145	0.832	0.985	0.625
04053	1/4	7/16	0.281	0.172	0.56	0.535	1.39	1.09	0.89	0.562
04054	1/4	1/2	0.25	0.234	0.625	0.65	1.3	0.962	0.962	0.625
04055	1/4	9/16	0.25	0.297	0.625	0.7	1.3	0.962	1.012	0.625
04056	1/4	3/4	0.25	0.391	0.695	0.775	1.57	1.14	1.237	0.875
04087	3/8	3/8	0.375	0.125	0.69	0.57	1.465	1.09	0.945	0.75
04057	3/8	7/16	0.406	0.172	0.56	0.535	1.62	1.22	0.89	0.75
04058	3/8	1/2	0.375	0.234	0.69	0.65	1.465	1.14	0.975	0.75
04059	3/8	9/16	0.406	0.297	0.56	0.541	1.62	1.22	1.06	0.75
04060	3/8	3/4	0.375	0.391	0.7	0.775	1.575	1.137	1.237	0.875
04061	3/8	7/8	0	0	0	0	0	0	0	0
04048	3/8	1-1/16	0.375	0.609	0.7	0.99	1.825	1.262	1.602	1.125
04069	3/8	1-5/16	0	0	0	0	0	0	0	0
04092	1/2	3/8	0	0	0	0	0	0	0	0
04062	1/2	7/16	0.5	0.172	0.84	0.64	1.84	1.403	1.077	0.875
04063	1/2	1/2	0.5	0.234	0.84	0.64	1.84	1.403	1.077	0.875

DESIGN DETAILS AND SPECIFICATIONS SUBJECT TO CHANGE WITHOUT PRIOR NOTICE - Whilst every effort has been made to ensure the accuracy of the information supplied herein, Burnett & Hillman cannot be held responsible for any errors or omissions (E&OE)

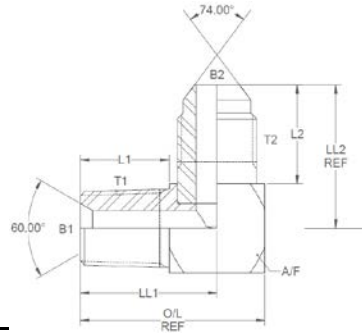
All dimensions are imperial unless stated.



	T1	T2	B1	B2	L1	L2	O/L	LL1	LL2	A/F
04064	1/2	9/16	0.531	0.297	0.297	0.541	1.975	1.47	1.06	0.875
04065	1/2	3/4	0.531	0.391	0.391	0.642	1.975	1.47	1.25	0.875
04066	1/2	7/8	0.531	0.484	0.484	0.743	1.975	1.47	1.45	0.875
04082	1/2	1-1/16	0.5	0.609	0.609	0.99	2.068	1.505	1.603	1.125
04068	1/2	1-5/16	0.5	0.844	0.844	1.125	2.318	1.812	1.825	1.375
04070	3/4	9/16	0.719	0.297	0.297	0.541	2.205	1.59	1.06	1.062
04071	3/4	3/4	0.719	0.391	0.391	0.642	2.205	1.59	1.25	1.062
04072	3/4	7/8	0.687	0.484	0.484	0.97	2.1	1.525	1.532	1.125
04073	3/4	1-1/16	0.719	0.609	0.609	0.849	2.205	1.59	1.66	1.062
04075	3/4	1-5/16	0.687	0.844	0.844	1.125	2.31	1.622	1.825	1.375
04090	3/4	1-5/8	0.687	1.078	1.078	1.2	2.685	1.812	2.1	1.75
04085	1	3/4	0.843	0.391	0.391	0.85	2.75	2	1.537	1.375
04089	1	7/8	0.843	0.484	0.484	0.97	2.75	2	1.657	1.375
04074	1	1-1/16	0.843	0.609	0.609	1.05	2.75	2	1.737	1.375
04076	1	1-5/16	0.938	0.844	0.844	0.896	2.7	1.97	1.81	1.312
04077	1	1-5/8	0.843	1.078	1.078	1.2	3.065	2.19	2.1	1.75
04078	1-1/4	1-5/16	1.203	0.844	0.844	1.22	3.305	2.56	2.095	1.75
04079	1-1/4	1-5/8	1.25	1.078	1.078	0.943	3.29	2.38	2.06	1.625
04083	1-1/4	1-7/8	1.203	1.312	1.312	1.24	3.49	2.49	2.302	2
04091	1-1/2	1-5/16	1.312	0.844	0.844	1.22	3.65	2.625	2.22	2

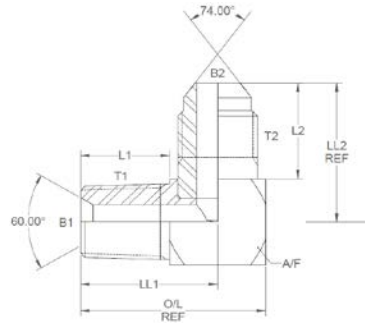
DESIGN DETAILS AND SPECIFICATIONS SUBJECT TO CHANGE WITHOUT PRIOR NOTICE - Whilst every effort has been made to ensure the accuracy of the information supplied herein, Burnett & Hillman cannot be held responsible for any errors or omissions (E&OE)

All dimensions are imperial unless stated.



	T1	T2	B1	B2	L1	L2	O/L	LL1	LL2	A/F
04084	1-1/2	1-5/8	1.312	1.078	1.6	1.23	3.65	2.625	2.23	2
04080	1-1/2	1-7/8	1.5	1.312	1	1.068	3.67	2.64	2.33	1.875
04088	1-1/2	2-1/2	0	0	0	0	0	0	0	0
04081	2	2-1/2	1.812	1.781	1.7	1.865	4.45	3.2	3.115	2.5

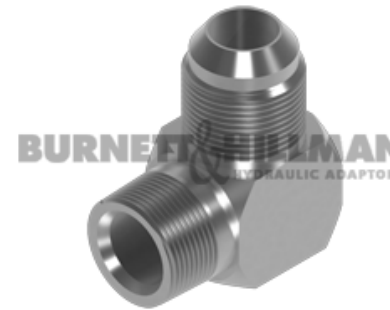
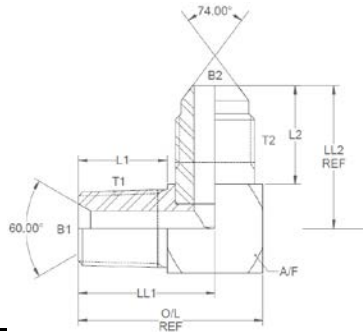
A/F dimensions are imperial unless stated.



	T1	T2	B1	B2	L1	L2	O/L	LL1	LL2	A/F
04086	1/8	5/16	4.78	1.57	9.65	12.19	22.35	16	18.54	0.5
04067	1/8	3/8	4.78	3.18	9.65	14.48	22.35	16	20.83	0.5
04050	1/8	7/16	4.78	4.37	9.65	16.26	25.65	19.81	22.61	0.438
04051	1/8	1/2	4.78	5.94	13.21	16.26	29.08	21.13	24.51	0.625
04052	1/8	9/16	4.78	7.54	13.21	16.51	29.08	21.13	25.02	0.625
04053	1/4	7/16	7.14	4.37	14.22	13.59	35.31	27.69	22.61	0.562
04054	1/4	1/2	6.35	5.94	15.88	16.51	33.02	24.43	24.43	0.625
04055	1/4	9/16	6.35	7.54	15.88	17.78	33.02	24.43	25.7	0.625
04056	1/4	3/4	6.35	9.93	17.65	19.69	39.88	28.96	31.42	0.875
04087	3/8	3/8	9.53	3.18	17.53	14.48	37.21	27.69	24	0.75
04057	3/8	7/16	10.31	4.37	14.22	13.59	41.15	30.99	22.61	0.75
04058	3/8	1/2	9.53	5.94	17.53	16.51	37.21	28.96	24.77	0.75
04059	3/8	9/16	10.31	7.54	14.22	13.74	41.15	30.99	26.92	0.75
04060	3/8	3/4	9.53	9.93	17.78	19.69	40.01	28.88	31.42	0.875
04061	3/8	7/8	0	0	0	0	0	0	0	0
04048	3/8	1-1/16	9.53	15.47	17.78	25.15	46.36	32.05	40.69	1.125
04069	3/8	1-5/16	0	0	0	0	0	0	0	0
04092	1/2	3/8	0	0	0	0	0	0	0	0
04062	1/2	7/16	12.7	4.37	21.34	16.26	46.74	35.64	27.36	0.875
04063	1/2	1/2	12.7	5.94	21.34	16.26	46.74	35.64	27.36	0.875

DESIGN DETAILS AND SPECIFICATIONS SUBJECT TO CHANGE WITHOUT PRIOR NOTICE - Whilst every effort has been made to ensure the accuracy of the information supplied herein, Burnett & Hillman cannot be held responsible for any errors or omissions (E&OE)

A/F dimensions are imperial unless stated.



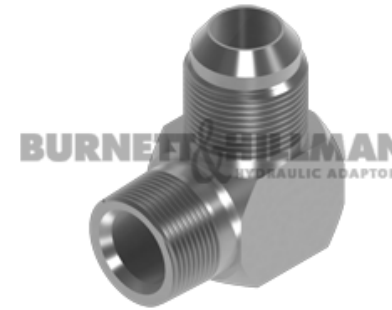
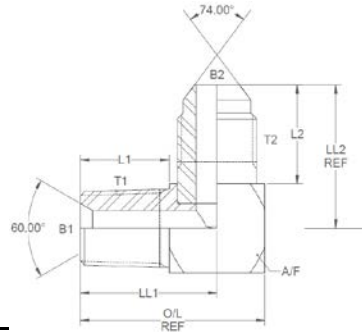
	T1	T2	B1	B2	L1	L2	O/L	LL1	LL2	A/F
04064	1/2	9/16	13.49	7.54	19.05	13.74	50.17	37.34	26.92	0.875
04065	1/2	3/4	13.49	9.93	19.05	16.31	50.17	37.34	31.75	0.875
04066	1/2	7/8	13.49	12.29	19.05	18.87	50.17	37.34	36.83	0.875
04082	1/2	1-1/16	12.7	15.47	23.95	25.15	52.53	38.23	40.72	1.125
04068	1/2	1-5/16	12.7	21.44	23.95	28.58	58.88	46.02	46.36	1.375
04070	3/4	9/16	18.26	7.54	19.05	13.74	56.01	40.39	26.92	1.062
04071	3/4	3/4	18.26	9.93	19.05	16.31	56.01	40.39	31.75	1.062
04072	3/4	7/8	17.45	12.29	24.13	24.64	53.34	38.74	38.91	1.125
04073	3/4	1-1/16	18.26	15.47	19.05	21.56	56.01	40.39	42.16	1.062
04075	3/4	1-5/16	17.45	21.44	23.75	28.58	58.67	41.2	46.36	1.375
04090	3/4	1-5/8	17.45	27.38	23.75	30.48	68.2	46.02	53.34	1.75
04085	1	3/4	21.41	9.93	31.75	21.59	69.85	50.8	39.04	1.375
04089	1	7/8	21.41	12.29	31.75	24.64	69.85	50.8	42.09	1.375
04074	1	1-1/16	21.41	15.47	31.75	26.67	69.85	50.8	44.12	1.375
04076	1	1-5/16	23.83	21.44	23.88	22.76	68.58	50.04	45.97	1.312
04077	1	1-5/8	21.41	27.38	33.4	30.48	77.85	55.63	53.34	1.75
04078	1-1/4	1-5/16	30.56	21.44	38.1	30.99	83.95	65.02	53.21	1.75
04079	1-1/4	1-5/8	31.75	27.38	24.64	23.95	83.57	60.45	52.32	1.625
04083	1-1/4	1-7/8	30.56	33.32	37.85	31.5	88.65	63.25	58.47	2
04091	1-1/2	1-5/16	33.32	21.44	40.64	30.99	92.71	66.68	56.39	2

DESIGN DETAILS AND SPECIFICATIONS SUBJECT TO CHANGE WITHOUT PRIOR NOTICE - Whilst every effort has been made to ensure the accuracy of the information supplied herein, Burnett & Hillman cannot be held responsible for any errors or omissions (E&OE)

**NPTF male x JIC male 90° compact  
elbow**

Oct-21  
0607 METRIC

A/F dimensions are imperial unless stated.



	T1	T2	B1	B2	L1	L2	O/L	LL1	LL2	A/F
04084	1-1/2	1-5/8	33.32	27.38	40.64	31.24	92.71	66.68	56.64	2
04080	1-1/2	1-7/8	38.1	33.32	25.4	27.13	93.22	67.06	59.18	1.875
04088	1-1/2	2-1/2	0	0	0	0	0	0	0	0
04081	2	2-1/2	46.02	45.24	43.18	47.37	113.03	81.28	79.12	2.5