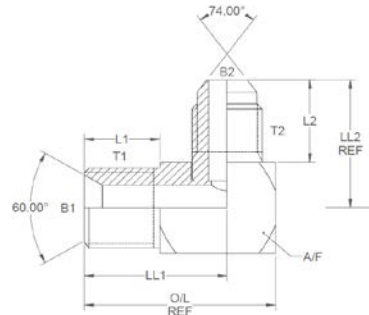


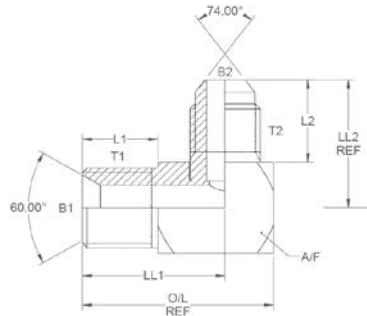
All dimensions are imperial unless stated.



| | T1 | T2 | B1 | B2 | L1 | L2 | O/L | LL1 | LL2 | A/F |
|-----------|-------|--------|-------|-------|-------|-------|-------|-------|-------|-------|
| 07070 | 1/4 | 7/16 | 0.185 | 0.172 | 0.565 | 0.64 | 1.335 | 0.993 | 0.952 | 0.625 |
| 07071 | 1/4 | 1/2 | 0.25 | 0.234 | 0.565 | 0.64 | 1.335 | 0.993 | 0.952 | 0.625 |
| 07072 | 1/4 | 9/16 | 0.185 | 0.297 | 0.565 | 0.7 | 1.335 | 0.95 | 1.012 | 0.625 |
| 07073 | 3/8 | 9/16 | 0.375 | 0.297 | 0.6 | 0.7 | 1.52 | 1.08 | 1.075 | 0.75 |
| 07077 | 3/8 | 3/4 | 0.375 | 0.391 | 0.85 | 0.775 | 1.715 | 1.287 | 1.237 | 0.875 |
| 07074 | 1/2 | 3/4 | 0.437 | 0.391 | 0.74 | 0.85 | 1.84 | 1.329 | 1.287 | 0.875 |
| 07079 | 1/2 | 7/8 | 0.5 | 0.484 | 0.885 | 0.875 | 1.885 | 1.385 | 1.4 | 1 |
| 07069-08B | 1/2 | 1-1/16 | 0 | 0 | 0 | 0 | 0 | 0 | 0 | 0 |
| 07078 | 3/4 | 7/8 | 0.625 | 0.484 | 0.82 | 0.98 | 2.06 | 1.478 | 1.542 | 1.125 |
| 07075 | 3/4 | 1-1/16 | 0.625 | 0.609 | 0.94 | 0.99 | 2.065 | 1.502 | 1.602 | 1.125 |
| 07069 | 1 | 1-1/16 | 0.812 | 0.609 | 1.05 | 1.05 | 2.475 | 1.762 | 1.737 | 1.375 |
| 07076 | 1 | 1-5/16 | 0.812 | 0.844 | 1.05 | 1.22 | 2.475 | 1.762 | 1.907 | 1.375 |
| 07068-16B | 1 | 1-5/8 | 0.812 | 1.078 | 1.14 | 1.2 | 2.89 | 2.01 | 2.075 | 1.75 |
| 07067-16B | 1 | 1-7/8 | 0 | 0 | 0 | 0 | 0 | 0 | 0 | 0 |
| 07068 | 1-1/4 | 1-5/8 | 1.125 | 1.078 | 1.2 | 1.23 | 3.2 | 2.2 | 2.105 | 1.75 |
| 07067 | 1-1/2 | 1-7/8 | 1.312 | 1.312 | 1.4 | 1.33 | 3.45 | 2.425 | 2.33 | 2 |

DESIGN DETAILS AND SPECIFICATIONS SUBJECT TO CHANGE WITHOUT PRIOR NOTICE - Whilst every effort has been made to ensure the accuracy of the information supplied herein, Burnett & Hillman cannot be held responsible for any errors or omissions (E&OE)

A/F dimensions are imperial unless stated.



| | T1 | T2 | B1 | B2 | L1 | L2 | O/L | LL1 | LL2 | A/F |
|-----------|-------|--------|-------|-------|-------|-------|-------|-------|-------|-------|
| 07070 | 1/4 | 7/16 | 4.7 | 4.37 | 14.35 | 16.26 | 33.91 | 25.22 | 24.18 | 0.625 |
| 07071 | 1/4 | 1/2 | 6.35 | 5.94 | 14.35 | 16.26 | 33.91 | 25.22 | 24.18 | 0.625 |
| 07072 | 1/4 | 9/16 | 4.7 | 7.54 | 14.35 | 17.78 | 33.91 | 24.13 | 25.7 | 0.625 |
| 07073 | 3/8 | 9/16 | 9.53 | 7.54 | 15.24 | 17.78 | 38.61 | 27.43 | 27.31 | 0.75 |
| 07077 | 3/8 | 3/4 | 9.53 | 9.93 | 21.59 | 19.69 | 43.56 | 32.69 | 31.42 | 0.875 |
| 07074 | 1/2 | 3/4 | 11.1 | 9.93 | 18.8 | 21.59 | 46.74 | 33.76 | 32.69 | 0.875 |
| 07079 | 1/2 | 7/8 | 12.7 | 12.29 | 22.48 | 22.23 | 47.88 | 35.18 | 35.56 | 1 |
| 07069-08B | 1/2 | 1-1/16 | 0 | 0 | 0 | 0 | 0 | 0 | 0 | 0 |
| 07078 | 3/4 | 7/8 | 15.88 | 12.29 | 20.83 | 24.89 | 52.32 | 37.54 | 39.17 | 1.125 |
| 07075 | 3/4 | 1-1/16 | 15.88 | 15.47 | 23.88 | 25.15 | 52.45 | 38.15 | 40.69 | 1.125 |
| 07069 | 1 | 1-1/16 | 20.62 | 15.47 | 26.67 | 26.67 | 62.87 | 44.75 | 44.12 | 1.375 |
| 07076 | 1 | 1-5/16 | 20.62 | 21.44 | 26.67 | 30.99 | 62.87 | 44.75 | 48.44 | 1.375 |
| 07068-16B | 1 | 1-5/8 | 20.62 | 27.38 | 28.96 | 30.48 | 73.41 | 51.05 | 52.71 | 1.75 |
| 07067-16B | 1 | 1-7/8 | 0 | 0 | 0 | 0 | 0 | 0 | 0 | 0 |
| 07068 | 1-1/4 | 1-5/8 | 28.58 | 27.38 | 30.48 | 31.24 | 81.28 | 55.88 | 53.47 | 1.75 |
| 07067 | 1-1/2 | 1-7/8 | 33.32 | 33.32 | 35.56 | 33.78 | 87.63 | 61.6 | 59.18 | 2 |

DESIGN DETAILS AND SPECIFICATIONS SUBJECT TO CHANGE WITHOUT PRIOR NOTICE - Whilst every effort has been made to ensure the accuracy of the information supplied herein, Burnett & Hillman cannot be held responsible for any errors or omissions (E&OE)