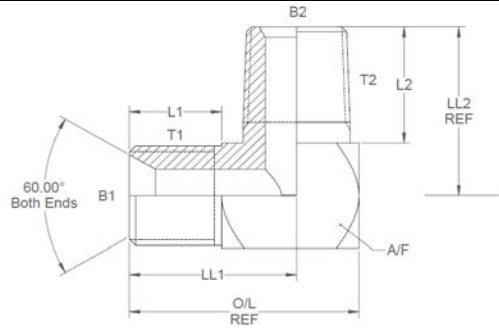
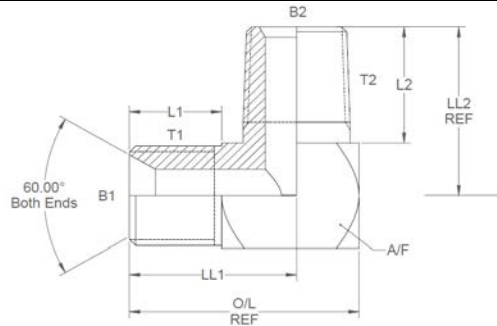


All dimensions are imperial unless stated.



	T1	T2	B1	B2	L1	L2	O/L	LL1	LL2	A/F
13076	1/8	1/8	0.156	0.188	0.5	0.52	1.01	0.755	0.77	0.5
13073	1/8	1/4	0	0	0	0	0	0	0	0
13070-02N	1/4	1/8	0.185	0.188	0.565	0.52	1.335	0.993	0.832	0.625
13070	1/4	1/4	0.185	0.25	0.565	0.695	1.335	0.95	1.007	0.625
13071	3/8	3/8	0.312	0.375	0.6	0.705	1.52	1.06	1.08	0.75
13072	1/2	1/2	0.437	0.5	0.74	0.943	1.84	1.329	1.38	0.875
13074	3/4	3/4	0.625	0.687	0.82	0.95	2.06	1.44	1.512	1.125
13077	1	3/4	0.812	0.687	1.05	0.95	2.475	1.762	1.637	1.375
13075	1	1	0.812	0.843	1.05	1.315	2.475	1.762	2.002	1.375
13078	1-1/2	1-1/2	1.312	1.312	1.4	1.64	3.45	2.42	2.64	2
13069	2	2	1.75	1.75	1.5	1.7	4.25	2.875	2.95	2.5

A/F dimensions are imperial unless stated.



	T1	T2	B1	B2	L1	L2	O/L	LL1	LL2	A/F
13076	1/8	1/8	3.96	4.78	12.7	13.21	25.65	19.18	19.56	0.5
13073	1/8	1/4	0	0	0	0	0	0	0	0
13070-02N	1/4	1/8	4.7	4.78	14.35	13.21	33.91	25.22	21.13	0.625
13070	1/4	1/4	4.7	6.35	14.35	17.65	33.91	24.13	25.58	0.625
13071	3/8	3/8	7.92	9.53	15.24	17.91	38.61	26.92	27.43	0.75
13072	1/2	1/2	11.1	12.7	18.8	23.95	46.74	33.76	35.05	0.875
13074	3/4	3/4	15.88	17.45	20.83	24.13	52.32	36.58	38.4	1.125
13077	1	3/4	20.62	17.45	26.67	24.13	62.87	44.75	41.58	1.375
13075	1	1	20.62	21.41	26.67	33.4	62.87	44.75	50.85	1.375
13078	1-1/2	1-1/2	33.32	33.32	35.56	41.66	87.63	61.47	67.06	2
13069	2	2	44.45	44.45	38.1	43.18	107.95	73.03	74.93	2.5