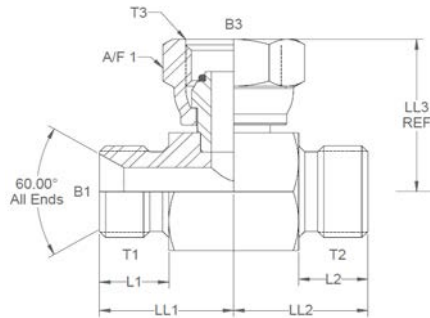
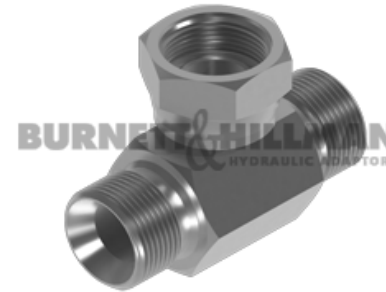
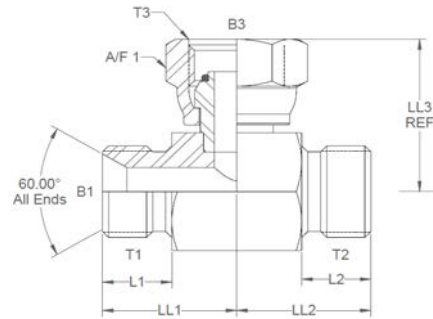


All dimensions are imperial unless stated.



	T1	T2	T3	B1	B3	L1	L2	LL1	LL2	LL3	A/F	A/F1
02001-OR	1/4	1/4	1/4	0.185	0.172	0.45	0.45	0.88	0.88	1.044	19mm	19mm
02002-OR	3/8	3/8	3/8	0.312	0.271	0.5	0.52	1	1	1.221	22mm	22mm
02003-OR	1/2	1/2	1/2	0.437	0.375	0.6	0.6	1.162	1.162	1.376	27mm	27mm
02005-OR	3/4	3/4	3/4	0.625	0.562	0.75	0.75	1.48	1.48	1.569	32mm	32mm
02006-OR	1	1	1	0.875	0.75	0.8	0.8	1.7	1.7	1.849	41mm	41mm

A/F dimensions are imperial unless stated.



	T1	T2	T3	B1	B3	L1	L2	LL1	LL2	LL3	A/F	A/F1
02001-OR	1/4	1/4	1/4	4.7	4.37	11.43	11.43	22.35	22.35	26.52	19mm	19mm
02002-OR	3/8	3/8	3/8	7.92	6.88	12.7	13.21	25.4	25.4	31.01	22mm	22mm
02003-OR	1/2	1/2	1/2	11.1	9.53	15.24	15.24	29.51	29.51	34.95	27mm	27mm
02005-OR	3/4	3/4	3/4	15.88	14.27	19.05	19.05	37.59	37.59	39.85	32mm	32mm
02006-OR	1	1	1	22.23	19.05	20.32	20.32	43.18	43.18	46.96	41mm	41mm