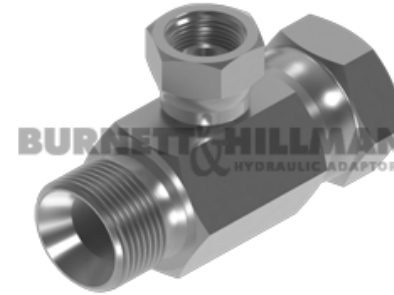
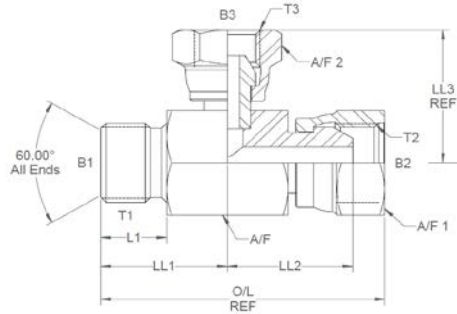


**BSP male x BSP swivel female x BSP
swivel female tee REDUCING ON
BRANCH**

Oct-21
0541 IMP

All dimensions are imperial unless stated.

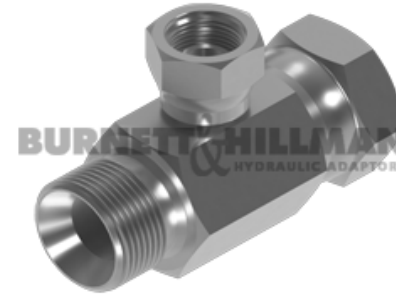
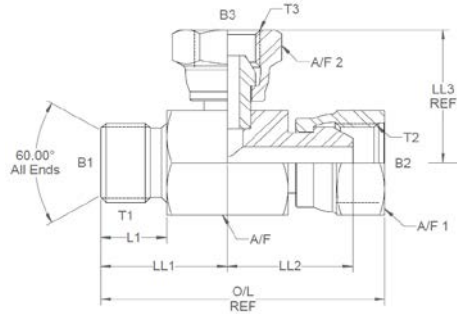


	T1	T2	T3	B1	B2	B3	L1	O/L	LL1	LL2	LL3	A/F
09634	3/8	3/8	1/4	0.312	0.271	0.172	0.52	2.25	1	0.992	1.07	22mm
09637	3/4	3/4	1/4	0.6	0.6	0.172	0.75	3.08	1.48	1.23	1.27	32mm

**BSP male x BSP swivel female x BSP
swivel female tee REDUCING ON
BRANCH**

Oct-21
0541 METRIC

A/F dimensions are imperial unless stated.



	T1	T2	T3	B1	B2	B3	L1	O/L	LL1	LL2	LL3	A/F
09634	3/8	3/8	1/4	7.92	6.88	4.37	13.21	57.15	25.4	25.2	27.18	22mm
09637	3/4	3/4	1/4	15.24	15.24	4.37	19.05	78.23	37.59	31.24	32.26	32mm