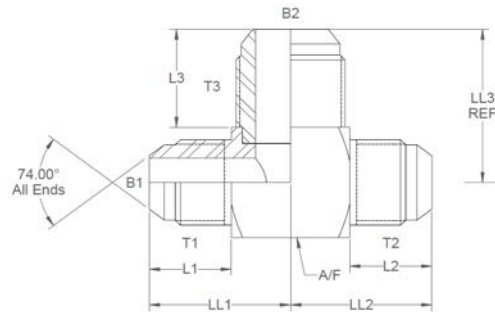
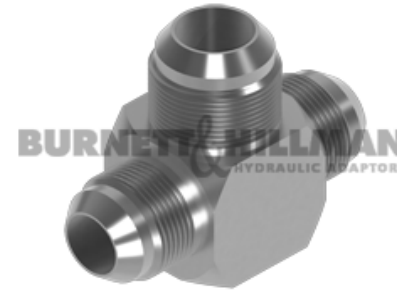
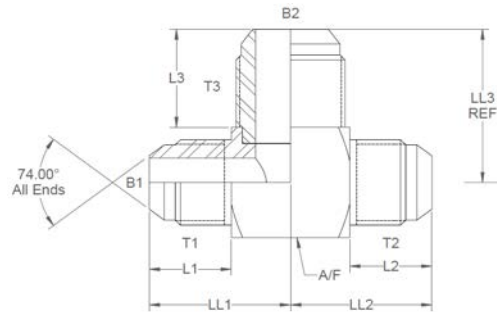


All dimensions are imperial unless stated.



	T1	T2	T3	B1	B3	L1	L2	L3	LL1	LL2	LL3	A/F
01961	7/16	7/16	9/16	0.172	0.297	0.64	0.64	0.7	1.027	1.027	1.012	0.625
01962	7/16	7/16	9/16	0	0	0	0	0	0	0	0	0
01963	3/4	3/4	1-1/16	0.391	0.609	0.8	0.8	1.09	1.42	1.42	1.652	1.125
01964	1-1/16	1-1/16	1-5/16	0.609	0.844	0.99	0.99	1.22	1.702	1.702	1.907	1.375
01965	1-5/16	1-5/16	1-5/8	0	0	0	0	0	0	0	0	0

A/F dimensions are imperial unless stated.



	T1	T2	T3	B1	B3	L1	L2	L3	LL1	LL2	LL3	A/F
01961	7/16	7/16	9/16	4.37	7.54	16.26	16.26	17.78	26.09	26.09	25.7	0.625
01962	7/16	7/16	9/16	0	0	0	0	0	0	0	0	0
01963	3/4	3/4	1-1/16	9.93	15.47	20.32	20.32	27.69	36.07	36.07	41.96	1.125
01964	1-1/16	1-1/16	1-5/16	15.47	21.44	25.15	25.15	30.99	43.23	43.23	48.44	1.375
01965	1-5/16	1-5/16	1-5/8	0	0	0	0	0	0	0	0	0