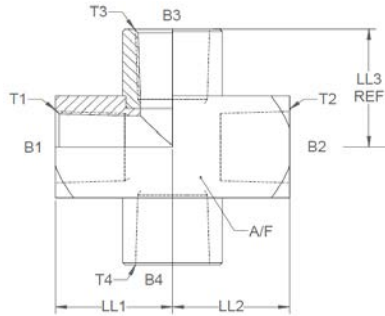
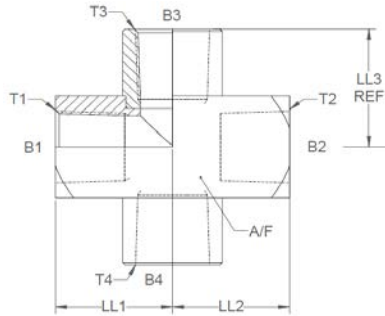


All dimensions are imperial unless stated.



	T1	T2	T3	T4	B1	B2	B3	B4	LL1	LL2	LL3	A/F
37000	1/4	1/4	1/4	1/4	0.421	0.421	0.421	0.421	0.875	0.875	0.875	0.75
37001	3/8	3/8	3/8	3/8	0.561	0.561	0.561	0.561	1	1	1.125	1
37002	1/2	1/2	1/2	1/2	0.689	0.689	0.689	0.689	1.25	1.25	1.302	1.125
37003	3/4	3/4	3/4	3/4	0.895	0.895	0.895	0.895	1.5	1.5	1.532	1.375
37004	1	1	1	1	1.137	1.137	1.137	1.137	1.725	1.725	1.735	1.75
37006	1-1/2	1-1/2	1-1/2	1-1/2	1.713	1.713	1.713	1.713	2.25	2.25	2.25	2.5

A/F dimensions are imperial unless stated.



	T1	T2	T3	T4	B1	B2	B3	B4	LL1	LL2	LL3	A/F
37000	1/4	1/4	1/4	1/4	10.69	10.69	10.69	10.69	22.23	22.23	22.23	0.75
37001	3/8	3/8	3/8	3/8	14.25	14.25	14.25	14.25	25.4	25.4	28.58	1
37002	1/2	1/2	1/2	1/2	17.5	17.5	17.5	17.5	31.75	31.75	33.07	1.125
37003	3/4	3/4	3/4	3/4	22.73	22.73	22.73	22.73	38.1	38.1	38.91	1.375
37004	1	1	1	1	28.88	28.88	28.88	28.88	43.82	43.82	44.07	1.75
37006	1-1/2	1-1/2	1-1/2	1-1/2	43.51	43.51	43.51	43.51	57.15	57.15	57.15	2.5