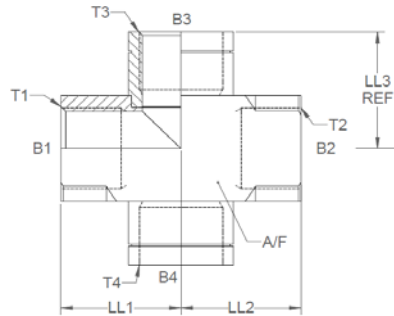


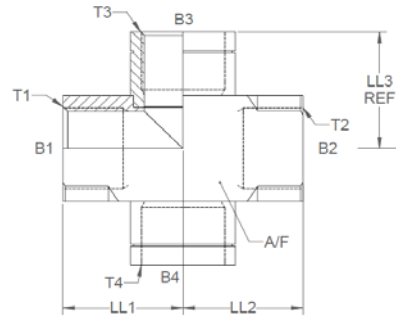
All dimensions are imperial unless stated.



	T1	T2	T3	T4	B1	B2	B3	B4	LL1	LL2	LL3	A/F
13023	1/8	1/8	1/8	1/8	0.344	0.344	0.344	0.344	0.775	0.775	0.782	0.625
13020	1/4	1/4	1/4	1/4	0.465	0.465	0.465	0.465	0.937	0.937	0.935	0.75
13021	3/8	3/8	3/8	3/8	0.6	0.6	0.6	0.6	1.05	1.05	1.095	1
13022	1/2	1/2	1/2	1/2	0.75	0.75	0.75	0.75	1.25	1.25	1.272	1.125
13024	3/4	3/4	3/4	3/4	0.964	0.964	0.964	0.964	1.5	1.5	1.512	1.375
13025	1	1	1	1	1.211	1.211	1.211	1.211	1.75	1.75	1.78	1.75
13026	1-1/4	1-1/4	1-1/4	1-1/4	1.555	1.555	1.555	1.555	2.25	2.25	2.205	2.25
13027	1-1/2	1-1/2	1-1/2	1-1/2	1.781	1.781	1.781	1.781	2.25	2.25	2.5	2.5

DESIGN DETAILS AND SPECIFICATIONS SUBJECT TO CHANGE WITHOUT PRIOR NOTICE - Whilst every effort has been made to ensure the accuracy of the information supplied herein, Burnett & Hillman cannot be held responsible for any errors or omissions (E&OE)

A/F dimensions are imperial unless stated.



	T1	T2	T3	T4	B1	B2	B3	B4	LL1	LL2	LL3	A/F
13023	1/8	1/8	1/8	1/8	0.344	0.344	0.344	0.344	0.775	0.775	0.782	0.625
13020	1/4	1/4	1/4	1/4	0.465	0.465	0.465	0.465	0.937	0.937	0.935	0.75
13021	3/8	3/8	3/8	3/8	0.6	0.6	0.6	0.6	1.05	1.05	1.095	1
13022	1/2	1/2	1/2	1/2	0.75	0.75	0.75	0.75	1.25	1.25	1.272	1.125
13024	3/4	3/4	3/4	3/4	0.964	0.964	0.964	0.964	1.5	1.5	1.512	1.375
13025	1	1	1	1	1.211	1.211	1.211	1.211	1.75	1.75	1.78	1.75
13026	1-1/4	1-1/4	1-1/4	1-1/4	1.555	1.555	1.555	1.555	2.25	2.25	2.205	2.25
13027	1-1/2	1-1/2	1-1/2	1-1/2	1.781	1.781	1.781	1.781	2.25	2.25	2.5	2.5