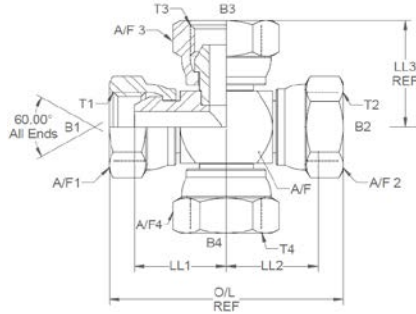


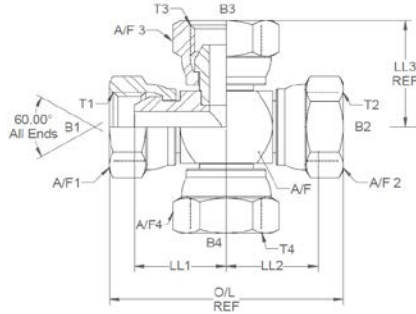
All dimensions are imperial unless stated.



	T1	T2	T3	T4	B1	B2	B3	B4	O/L	LL1	LL2	LL3	A/F	A/F1	A/F2	A/F3	A/F4
03019	1/8	1/8	1/8	1/8	0.125	0.125	0.125	0.125	1.92	0.71	0.71	0.85	0.5	0.6	0.6	0.6	0.6
03020	1/4	1/4	1/4	1/4	0.172	0.172	0.172	0.172	1.98	0.785	0.785	0.952	0.625	19mm	19mm	19mm	19mm
03021	3/8	3/8	3/8	3/8	0.271	0.271	0.271	0.271	2.52	1.002	1.002	1.133	0.75	22mm	22mm	22mm	2mm
03022	1/2	1/2	1/2	1/2	0.375	0.375	0.375	0.375	2.71	1.063	1.063	1.271	0.875	27mm	27mm	27mm	27mm
03025	5/8	5/8	5/8	5/8	0.5	0.5	0.5	0.5	3.1	1.135	1.135	1.454	1	30mm	30mm	30mm	30mm
03023	3/4	3/4	3/4	3/4	0.6	0.6	0.6	0.6	3.31	1.232	1.232	1.482	1.125	32mm	32mm	32mm	32mm
03024	1	1	1	1	0.797	0.797	0.797	0.797	3.72	1.423	1.423	1.7	1.375	41mm	41mm	41mm	41mm
03026	1-1/4	1-1/4	1-1/4	1-1/4	1.014	1.014	1.014	1.014	4.28	1.715	1.715	1.975	1.75	50mm	50mm	50mm	50mm
03027	1-1/2	1-1/2	1-1/2	1-1/2	1.201	1.201	1.201	1.201	5.22	2.1	2.1	2.34	2	55mm	55mm	55mm	55mm
03028	2	2	2	2	1.703	1.703	1.703	1.703	6.21	2.437	2.437	2.81	2.5	70mm	70mm	70mm	70mm

DESIGN DETAILS AND SPECIFICATIONS SUBJECT TO CHANGE WITHOUT PRIOR NOTICE - Whilst every effort has been made to ensure the accuracy of the information supplied herein, Burnett & Hillman cannot be held responsible for any errors or omissions (E&OE)

A/F dimensions are imperial unless stated.



	T1	T2	T3	T4	B1	B2	B3	B4	O/L	LL1	LL2	LL3	A/F	A/F1	A/F2	A/F3	A/F4
03019	1/8	1/8	1/8	1/8	0.125	0.125	0.125	0.125	1.92	0.71	0.71	0.85	0.5	0.6	0.6	0.6	0.6
03020	1/4	1/4	1/4	1/4	0.172	0.172	0.172	0.172	1.98	0.785	0.785	0.952	0.625	19mm	19mm	19mm	19mm
03021	3/8	3/8	3/8	3/8	0.271	0.271	0.271	0.271	2.52	1.002	1.002	1.133	0.75	22mm	22mm	22mm	2mm
03022	1/2	1/2	1/2	1/2	0.375	0.375	0.375	0.375	2.71	1.063	1.063	1.271	0.875	27mm	27mm	27mm	27mm
03025	5/8	5/8	5/8	5/8	0.5	0.5	0.5	0.5	3.1	1.135	1.135	1.454	1	30mm	30mm	30mm	30mm
03023	3/4	3/4	3/4	3/4	0.6	0.6	0.6	0.6	3.31	1.232	1.232	1.482	1.125	32mm	32mm	32mm	32mm
03024	1	1	1	1	0.797	0.797	0.797	0.797	3.72	1.423	1.423	1.7	1.375	41mm	41mm	41mm	41mm
03026	1-1/4	1-1/4	1-1/4	1-1/4	1.014	1.014	1.014	1.014	4.28	1.715	1.715	1.975	1.75	50mm	50mm	50mm	50mm
03027	1-1/2	1-1/2	1-1/2	1-1/2	1.201	1.201	1.201	1.201	5.22	2.1	2.1	2.34	2	55mm	55mm	55mm	55mm
03028	2	2	2	2	1.703	1.703	1.703	1.703	6.21	2.437	2.437	2.81	2.5	70mm	70mm	70mm	70mm

DESIGN DETAILS AND SPECIFICATIONS SUBJECT TO CHANGE WITHOUT PRIOR NOTICE - Whilst every effort has been made to ensure the accuracy of the information supplied herein, Burnett & Hillman cannot be held responsible for any errors or omissions (E&OE)