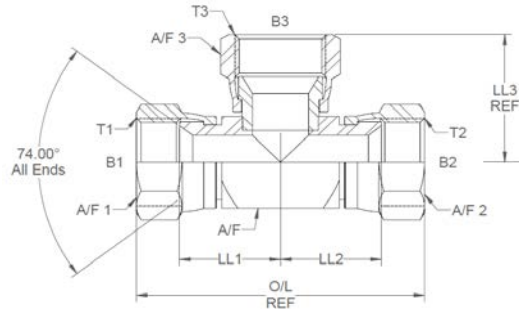


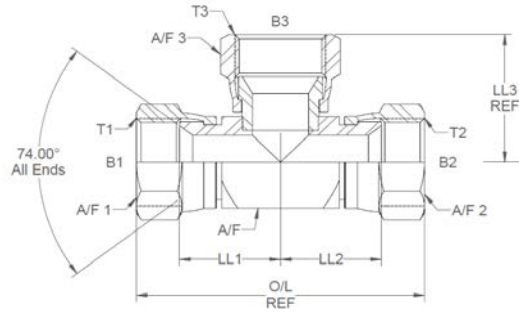
All dimensions are imperial unless stated.



	T1	T2	T3	B1	B2	B3	O/L	LL1	LL2	A/F	A/F1	A/F2	A/F3
09649	3/8	3/8	3/8	0.125	0.125	0.125	1.914	0.625	0.625	0.5	0.5	0.5	0.5
09650	7/16	7/16	7/16	0.176	0.176	0.176	1.97	0.625	0.625	0.5	0.562	0.562	0.562
09651	1/2	1/2	1/2	0.203	0.203	0.203	2.12	0.684	0.684	0.5	0.625	0.625	0.625
09652	9/16	9/16	9/16	0.297	0.297	0.297	2.3	0.772	0.772	0.625	0.687	0.687	0.687
09653	3/4	3/4	3/4	0.39	0.39	0.39	2.865	0.993	0.993	0.875	0.875	0.875	0.875
09654	7/8	7/8	7/8	0.5	0.5	0.5	3.21	1.097	1.097	1	1	1	1
09655	1-1/16	1-1/16	1-1/16	0.593	0.593	0.593	3.75	1.302	1.302	1.125	1.25	1.25	1.25
09658	1-3/16	1-3/16	1-3/16	0.75	0.75	0.75	3.98	1.402	1.402	1.375	1.375	1.375	1.375
09656	1-5/16	1-5/16	1-5/16	0.812	0.812	0.812	4.1	1.46	1.46	1.375	1.5	1.5	1.5
09657	1-5/8	1-5/8	1-5/8	1.075	1.075	1.075	4.44	1.578	1.578	1.75	50mm	50mm	50mm
09647	1-7/8	1-7/8	1-7/8	1.25	1.25	1.25	5.02	1.815	1.815	2	55mm	55mm	55mm
09648	2-1/2	2-1/2	2-1/2	1.75	1.75	1.75	6.7	2.455	2.455	2.5	70mm	70mm	70mm

DESIGN DETAILS AND SPECIFICATIONS SUBJECT TO CHANGE WITHOUT PRIOR NOTICE - Whilst every effort has been made to ensure the accuracy of the information supplied herein, Burnett & Hillman cannot be held responsible for any errors or omissions (E&OE)

A/F dimensions are imperial unless stated.



	T1	T2	T3	B1	B2	B3	O/L	LL1	LL2	A/F	A/F1	A/F2	A/F3
09649	3/8	3/8	3/8	0.125	0.125	0.125	1.914	0.625	0.625	0.5	0.5	0.5	0.5
09650	7/16	7/16	7/16	0.176	0.176	0.176	1.97	0.625	0.625	0.5	0.562	0.562	0.562
09651	1/2	1/2	1/2	0.203	0.203	0.203	2.12	0.684	0.684	0.5	0.625	0.625	0.625
09652	9/16	9/16	9/16	0.297	0.297	0.297	2.3	0.772	0.772	0.625	0.687	0.687	0.687
09653	3/4	3/4	3/4	0.39	0.39	0.39	2.865	0.993	0.993	0.875	0.875	0.875	0.875
09654	7/8	7/8	7/8	0.5	0.5	0.5	3.21	1.097	1.097	1	1	1	1
09655	1-1/16	1-1/16	1-1/16	0.593	0.593	0.593	3.75	1.302	1.302	1.125	1.25	1.25	1.25
09658	1-3/16	1-3/16	1-3/16	0.75	0.75	0.75	3.98	1.402	1.402	1.375	1.375	1.375	1.375
09656	1-5/16	1-5/16	1-5/16	0.812	0.812	0.812	4.1	1.46	1.46	1.375	1.5	1.5	1.5
09657	1-5/8	1-5/8	1-5/8	1.075	1.075	1.075	4.44	1.578	1.578	1.75	50mm	50mm	50mm
09647	1-7/8	1-7/8	1-7/8	1.25	1.25	1.25	5.02	1.815	1.815	2	55mm	55mm	55mm
09648	2-1/2	2-1/2	2-1/2	1.75	1.75	1.75	6.7	2.455	2.455	2.5	70mm	70mm	70mm

DESIGN DETAILS AND SPECIFICATIONS SUBJECT TO CHANGE WITHOUT PRIOR NOTICE - Whilst every effort has been made to ensure the accuracy of the information supplied herein, Burnett & Hillman cannot be held responsible for any errors or omissions (E&OE)