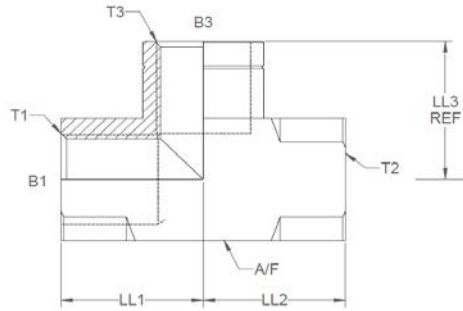


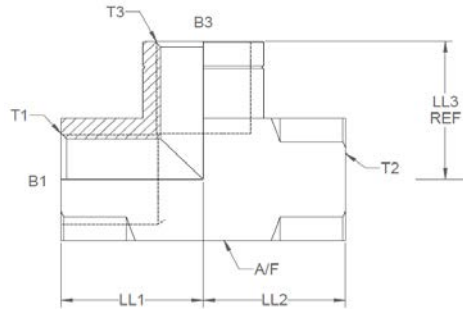
All dimensions are imperial unless stated.



	T1	T2	T3	B1	B3	LL1	LL2	LL3	A/F
11975	1/8	1/8	1/8	0.344	0.344	0.775	0.775	0.782	0.625
11976	1/4	1/4	1/4	0.464	0.464	0.937	0.937	0.937	0.75
11977	3/8	3/8	3/8	0.6	0.6	1.05	1.05	1.095	1
11978	1/2	1/2	1/2	0.75	0.75	1.25	1.25	1.272	1.125
11979	5/8	5/8	5/8	0.828	0.828	1.38	1.38	1.495	1.25
11980	3/4	3/4	3/4	0.964	0.964	1.5	1.5	1.513	1.375
11981	1	1	1	1.211	1.211	1.75	1.75	1.78	1.75
11982	1-1/4	1-1/4	1-1/4	1.555	1.555	2.25	2.25	2.205	2.25
11985	1-1/2	1-1/2	1-1/2	1.781	1.781	2.25	2.25	2.5	2.5
11984	2	2	2	2.25	2.25	2.65	2.65	2.9	3

DESIGN DETAILS AND SPECIFICATIONS SUBJECT TO CHANGE WITHOUT PRIOR NOTICE - Whilst every effort has been made to ensure the accuracy of the information supplied herein, Burnett & Hillman cannot be held responsible for any errors or omissions (E&OE)

A/F dimensions are imperial unless stated.



	T1	T2	T3	B1	B3	LL1	LL2	LL3	A/F
11975	1/8	1/8	1/8	8.74	8.74	19.69	19.69	19.86	0.625
11976	1/4	1/4	1/4	11.79	11.79	23.8	23.8	23.8	0.75
11977	3/8	3/8	3/8	15.24	15.24	26.67	26.67	27.81	1
11978	1/2	1/2	1/2	19.05	19.05	31.75	31.75	32.31	1.125
11979	5/8	5/8	5/8	21.03	21.03	35.05	35.05	37.97	1.25
11980	3/4	3/4	3/4	24.49	24.49	38.1	38.1	38.43	1.375
11981	1	1	1	30.76	30.76	44.45	44.45	45.21	1.75
11982	1-1/4	1-1/4	1-1/4	39.5	39.5	57.15	57.15	56.01	2.25
11985	1-1/2	1-1/2	1-1/2	45.24	45.24	57.15	57.15	63.5	2.5
11984	2	2	2	57.15	57.15	67.31	67.31	73.66	3