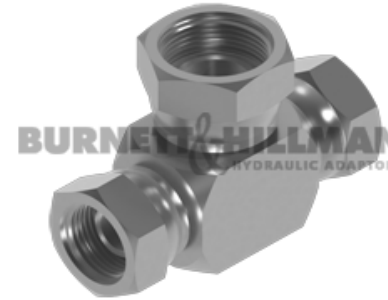
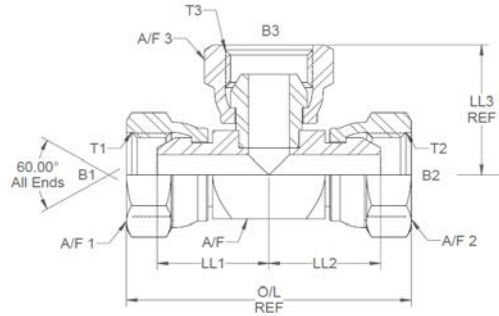
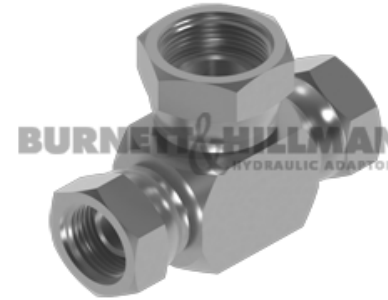
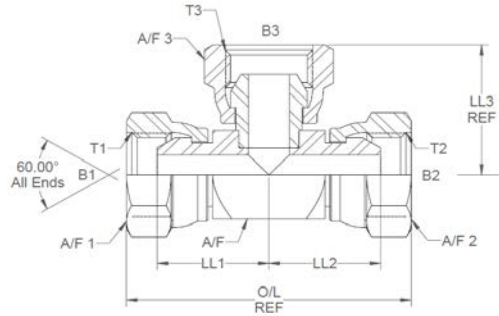


All dimensions are imperial unless stated.



	T1	T2	T3	B1	B2	B3	O/L	LL1	LL2	LL3	A/F	A/F1	A/F2	A/F3
01992	1/4	1/4	3/8	0.172	0.172	0.296	2	0.785	0.785	1.125	0.625	0.71	0.71	22mm
01995	3/4	3/4	1	0.609	0.609	0.75	3.25	1.232	1.232	1.57	1.125	32mm	32mm	41mm

A/F dimensions are imperial unless stated.



	T1	T2	T3	B1	B2	B3	O/L	LL1	LL2	LL3	A/F	A/F1	A/F2	A/F3
01992	1/4	1/4	3/8	0.172	0.172	0.296	2	0.785	0.785	1.125	0.625	0.71	0.71	22mm
01995	3/4	3/4	1	0.609	0.609	0.75	3.25	1.232	1.232	1.57	1.125	32mm	32mm	41mm