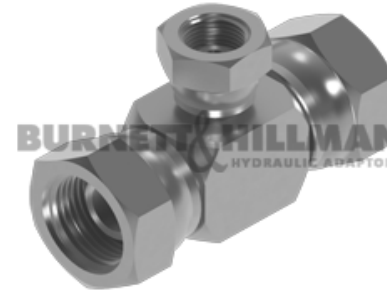
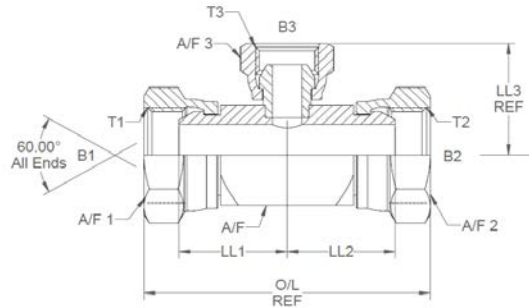


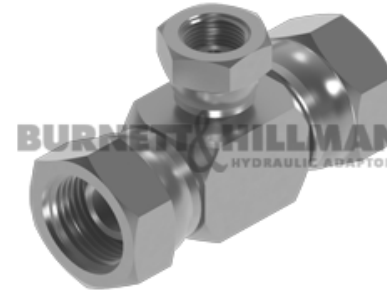
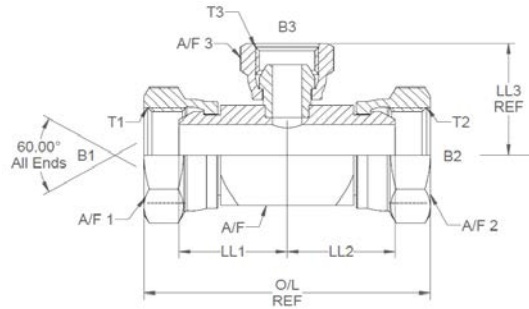
All dimensions are imperial unless stated.



	T1	T2	T3	B1	B2	B3	O/L	LL1	LL2	LL3	A/F	A/F1	A/F2	A/F3
01988	3/8	3/8	1/4	0.296	0.296	0.172	2.51	1.002	1.002	1.04	0.75	22mm	22mm	19mm
01991	1/2	1/2	1/4	0.39	0.39	0.172	2.71	1.063	1.063	1.1	0.875	27mm	27mm	19mm
01989	1/2	1/2	3/8	0.39	0.39	0.296	2.71	1.063	1.063	1.215	0.875	1.01	1.01	22mm
01985	3/4	3/4	1/2	0.6	0.6	0.375	3.25	1.232	1.232	1.408	1.125	32mm	32mm	27mm
01987	1	1	1/2	0.843	0.843	0.39	3.72	1.423	1.432	1.54	1.375	41mm	41mm	27mm
01986	1	1	3/4	0.843	0.843	0.609	3.72	1.423	1.423	1.62	1.375	41mm	41mm	32mm
01994	1-1/4	1-1/4	3/4	1.047	1.047	0.609	4.3	1.715	1.715	1.865	1.75	50mm	50mm	32mm
01990	1-1/4	1-1/4	1	1.047	1.047	0.843	4.3	1.715	1.715	1.96	1.75	50mm	50mm	41mm

DESIGN DETAILS AND SPECIFICATIONS SUBJECT TO CHANGE WITHOUT PRIOR NOTICE - Whilst every effort has been made to ensure the accuracy of the information supplied herein, Burnett & Hillman cannot be held responsible for any errors or omissions (E&OE)

A/F dimensions are imperial unless stated.



	T1	T2	T3	B1	B2	B3	O/L	LL1	LL2	LL3	A/F	A/F1	A/F2	A/F3
01988	3/8	3/8	1/4	7.52	7.52	4.37	63.75	25.45	25.45	26.42	0.75	22mm	22mm	19mm
01991	1/2	1/2	1/4	9.91	9.91	4.37	68.83	27	27	27.94	0.875	27mm	27mm	19mm
01989	1/2	1/2	3/8	9.91	9.91	7.52	68.83	27	27	30.86	0.875	1.01	1.01	22mm
01985	3/4	3/4	1/2	15.24	15.24	9.53	82.55	31.29	31.29	35.76	1.125	32mm	32mm	27mm
01987	1	1	1/2	21.41	21.41	9.91	94.49	36.14	36.37	39.12	1.375	41mm	41mm	27mm
01986	1	1	3/4	21.41	21.41	15.47	94.49	36.14	36.14	41.15	1.375	41mm	41mm	32mm
01994	1-1/4	1-1/4	3/4	26.59	26.59	15.47	109.22	43.56	43.56	47.37	1.75	50mm	50mm	32mm
01990	1-1/4	1-1/4	1	26.59	26.59	21.41	109.22	43.56	43.56	49.78	1.75	50mm	50mm	41mm

DESIGN DETAILS AND SPECIFICATIONS SUBJECT TO CHANGE WITHOUT PRIOR NOTICE - Whilst every effort has been made to ensure the accuracy of the information supplied herein, Burnett & Hillman cannot be held responsible for any errors or omissions (E&OE)