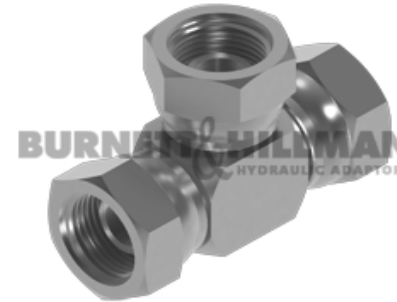
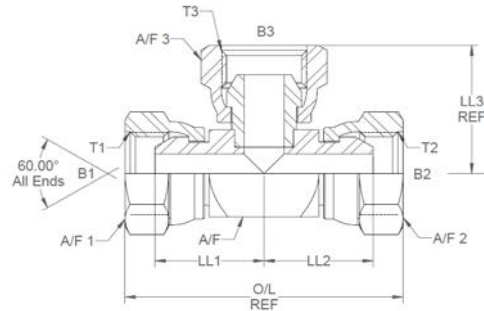


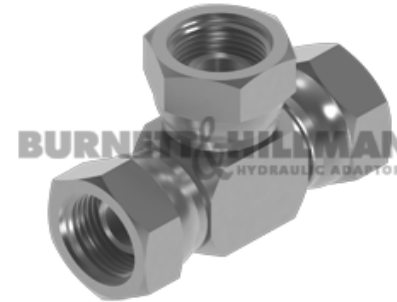
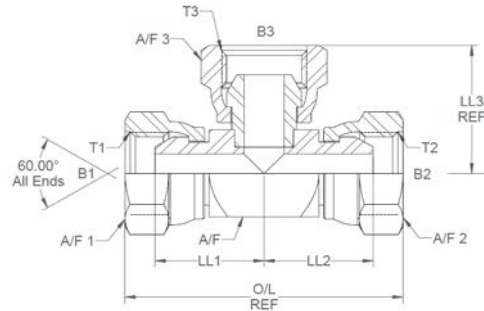
All dimensions are imperial unless stated.



	T1	T2	T3	B1	B2	B3	O/L	LL1	LL2	LL3	A/F	A/F1	A/F2	A/F3
01975	1/8	1/8	1/8	0.125	0.125	0.125	1.79	0.71	0.71	0.81	0.5	14mm	14mm	14mm
01976	1/4	1/4	1/4	0.172	0.172	0.172	2	0.785	0.785	0.975	0.625	19mm	19mm	19mm
01977	3/8	3/8	3/8	0.271	0.271	0.271	2.51	1.002	1.002	1.158	0.75	22mm	22mm	22mm
01978	1/2	1/2	1/2	0.375	0.375	0.375	2.71	1.063	1.063	1.283	0.875	27mm	27mm	27mm
01979	5/8	5/8	5/8	0.464	0.464	0.464	3.12	1.135	1.135	1.45	1	30mm	30mm	30mm
01980	3/4	3/4	3/4	0.6	0.6	0.6	3.25	1.232	1.232	1.49	1.125	32mm	32mm	32mm
01981	1	1	1	0.797	0.797	0.797	3.72	1.423	1.423	1.72	1.375	41mm	41mm	41mm
01982	1-1/4	1-1/4	1-1/4	1.014	1.014	1.014	4.3	1.715	1.715	2.015	1.75	50mm	50mm	50mm
01983	1-1/2	1-1/2	1-1/2	1.201	1.201	1.201	5.204	2.1	2.1	2.342	2	55mm	55mm	55mm
01984	2	2	2	1.703	1.703	1.703	6.2	2.437	2.437	2.81	2.5	70mm	70mm	70mm
01974	2-1/2	2-1/2	2-1/2	0	0	0	0	0	0	0	0	0	0	0

DESIGN DETAILS AND SPECIFICATIONS SUBJECT TO CHANGE WITHOUT PRIOR NOTICE - Whilst every effort has been made to ensure the accuracy of the information supplied herein, Burnett & Hillman cannot be held responsible for any errors or omissions (E&OE)

A/F dimensions are imperial unless stated.



	T1	T2	T3	B1	B2	B3	O/L	LL1	LL2	LL3	A/F	A/F1	A/F2	A/F3
01975	1/8	1/8	1/8	3.18	3.18	3.18	45.47	18.03	18.03	20.57	0.5	14mm	14mm	14mm
01976	1/4	1/4	1/4	4.37	4.37	4.37	50.8	19.94	19.94	24.77	0.625	19mm	19mm	19mm
01977	3/8	3/8	3/8	6.88	6.88	6.88	63.75	25.45	25.45	29.41	0.75	22mm	22mm	22mm
01978	1/2	1/2	1/2	9.53	9.53	9.53	68.83	27	27	32.59	0.875	27mm	27mm	27mm
01979	5/8	5/8	5/8	11.79	11.79	11.79	79.25	28.83	28.83	36.83	1	30mm	30mm	30mm
01980	3/4	3/4	3/4	15.24	15.24	15.24	82.55	31.29	31.29	37.85	1.125	32mm	32mm	32mm
01981	1	1	1	20.24	20.24	20.24	94.49	36.14	36.14	43.69	1.375	41mm	41mm	41mm
01982	1-1/4	1-1/4	1-1/4	25.76	25.76	25.76	109.22	43.56	43.56	51.18	1.75	50mm	50mm	50mm
01983	1-1/2	1-1/2	1-1/2	30.51	30.51	30.51	132.18	53.34	53.34	59.49	2	55mm	55mm	55mm
01984	2	2	2	43.26	43.26	43.26	157.48	61.9	61.9	71.37	2.5	70mm	70mm	70mm
01974	2-1/2	2-1/2	2-1/2	0	0	0	0	0	0	0	0	0	0	0

DESIGN DETAILS AND SPECIFICATIONS SUBJECT TO CHANGE WITHOUT PRIOR NOTICE - Whilst every effort has been made to ensure the accuracy of the information supplied herein, Burnett &amp; Hillman cannot be held responsible for any errors or omissions (E&amp;OE)